



WEDGELOCK CARD RETAINER GUIDE

C/A Design provides COTS and Custom Wedgelocks for your embedded cooling applications. Wedgelock card retainers offer the highest locking force available for cold wall applications. In a typical application they will mount either directly to the PCB or to a heat frame assembly with screws or rivets and are then inserted into a machined channel of a cold wall within a rugged enclosure. When expanded, the wedgelock will clamp the PCB in place providing resistance to shock and vibration as well as a thermal path for heat transfer between the PCB and the cold wall.

Wedgelocks are available in various profiles and allow for configurable length, mounting, and plating selections. For configurations not shown within the guide, please contact the factory to review.



For complete
heatframe
assembly
or other
component
items,

**CONTACT
C/A DESIGN**

418B GENERAL DIMENSIONS

'B' STYLE WEDGELOCKS



'B' STYLE

FEATURES

- DESIGNED FOR HEAVY SHOCK AND VIBRATION.
- UNIFORM CLAMPING FORCE AND HIGH THERMAL TRANSFER.
- LOW PROFILE DESIGN ALLOWS FOR DECREASED SLOT PITCH.
- LIGHT WEIGHT = ASSEMBLY LENGTH X .083 OZ [2.35 G] OR [.92 G/CM]
- SPECIAL LENGTHS, FINISH, AND OTHER DESIGN OPTIONS AVAILABLE UPON REQUEST.

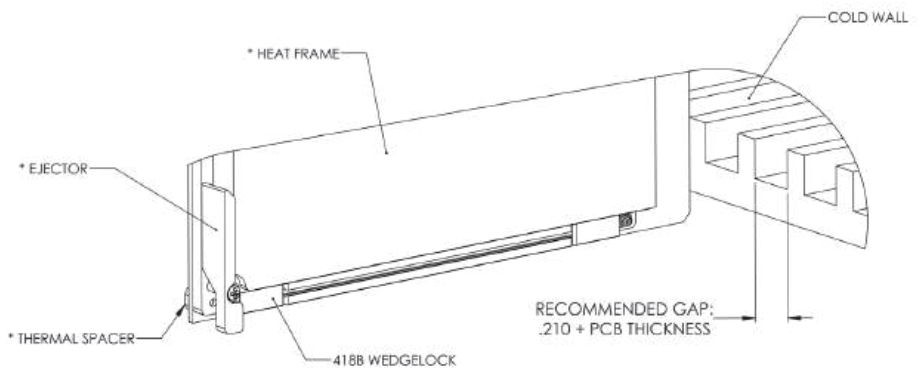
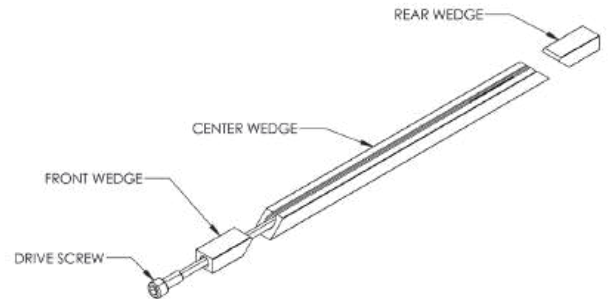
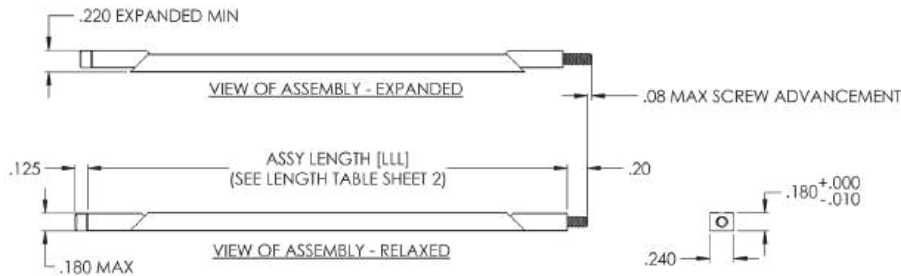
MATERIAL

WEDGES: ALUMINUM 6061-T6.

ALL OTHER HARDWARE: STAINLESS STEEL, PASSIVATED.

PARTS ARE SHIPPED AS COMPLETE ASSEMBLY EXCEPT FOR RIVET MOUNT OPTION

RECOMMENDED DRIVE SCREW TORQUE IS 4 IN-LBS (45 N-CM)



'B' STYLE		ASSEMBLY WITH LONG SCREW			DSCC CID
SERIES	WEDGES	HEIGHT	WIDTH	LENGTH (MIN)	
418B	3	0.180	0.240	1.80+	59590/11/12
422B	3	0.220	0.220	1.80+	59590/7/8/9/10
426B	3	0.260	0.225	1.80+	59590/3/4/5/6

418B DESIGN OPTIONS

[LLL] LENGTH TABLE		
ASSY LENGTH [LLL]	[H] MTG X	[C] OPTON X/2
180	0.400	NA
230	0.700	0.350
280	0.900	0.450
330	1.400	0.700
380	1.900	0.950
430	2.400	1.200
480	2.900	1.450
530	3.400	1.700
580	3.900	1.950

OTHER LENGTHS AVAILABLE UPON REQUEST

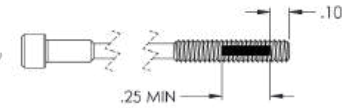
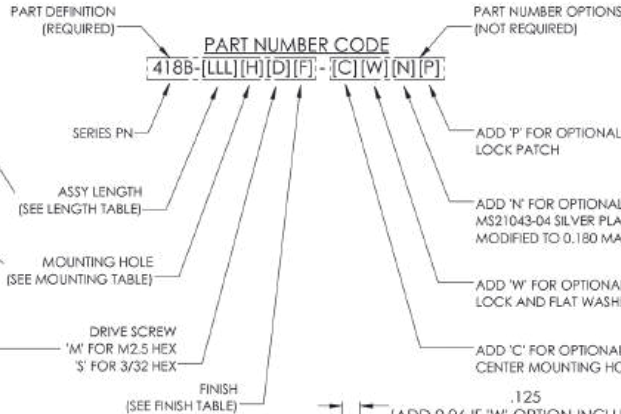
[H] MOUNTING TABLE	
DASH NO	DESCRIPTION
A	NO MOUNTING HOLES
R	$\varnothing 0.068/0.074$ THRU $\varnothing .156 \times \sqrt{.13}$ $\varnothing 0.140 \times 100^*$
T	#0-80 UNF-2B THREADS
S	#2-56 UNC-2B THREADS
U	M2 X 0.4 - 6H THREADS
M	M2.5 X 0.45 - 6H THREADS

THREAD DEPTH ~0.040" THRU

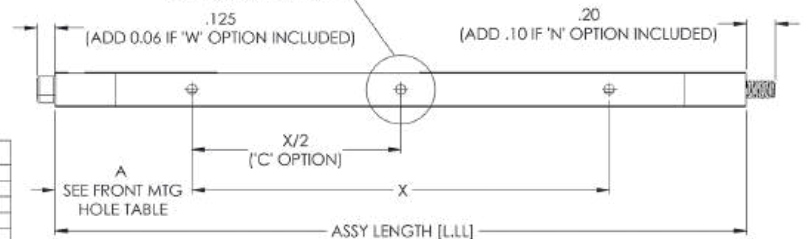
[F] FINISH TABLE	
DASH NO	DESCRIPTION
A	NO FINISH
G	CHROMATE PER MIL-DTL-5541, CLASS 1A, TYPE I [GOLD]
T	TRIVALENT CHROMATE PER MIL- DTL-5541, CLASS 1A, TYPE II [CLEAR], RoHS COMPLIANT
B	BLACK ANODIZE PER MIL-A-8625, TYPE II, CLASS 2
H	HARD BLACK ANODIZE PER MIL-A-8625, TYPE III, CLASS 2
D	HARD BLACK ANODIZE PER MIL-A-8625, TYPE III, CLASS 2 WITH DRY FILM LUBE PER MIL-L-46010
E	ELECTROLESS NICKEL PER MIL-C-26074, CLASS 4, GRADE B, BRIGHT
*N	NADCAP COMPLIANT (EX: 'BN' - BLACK ANODIZE, NADCAP)

NOTES:
 SHIP AS COMPLETE ASSEMBLY IN RELAXED STATE
 (IF RIVET MOUNTING OPTION IS SELECTED, SHIP UNASSEMBLED)

EXAMPLE
 418B-480UMG-CP
 418B WEDGELOCK ASSEMBLY
 4.80" LENGTH, M2 MTG, M2.5 SOCKET HEAD, GOLD CHROMATE
 CENTER MTG HOLE, LOCK PATCH



'P' OPTION
 NYLON PATCH PER MIL-F-18240
 PROVIDES ADDITIONAL RESISTANCE TO SHOCK AND VIBRATION



FRONT MTG HOLE TABLE	
ASSY LENGTH [LLL]	A
180-229	0.70
230-279	0.80
280 AND UP	0.95

BOTTOM VIEW

NEED DESIGN ASSISTANCE?

c-a-design.com

FEATURES

- 3-Wedge Configuration with Long Screw
- Mounting Location: Center Wedge
- Lengths from 1.80" +
- Various finishes available
- Custom configurations available

422B GENERAL DIMENSIONS

'B' STYLE WEDGELOCKS



'B' STYLE

FEATURES

- DESIGNED FOR HEAVY SHOCK AND VIBRATION.
- UNIFORM CLAMPING FORCE AND HIGH THERMAL TRANSFER.
- NARROW WIDTH FOR MAXIMUM PCB COMPONENT AREA.
- LIGHT WEIGHT = ASSEMBLY LENGTH X .080 OZ [2.27 G] OR [.89 G/CM]
- SPECIAL LENGTHS, FINISH, AND OTHER DESIGN OPTIONS AVAILABLE UPON REQUEST.

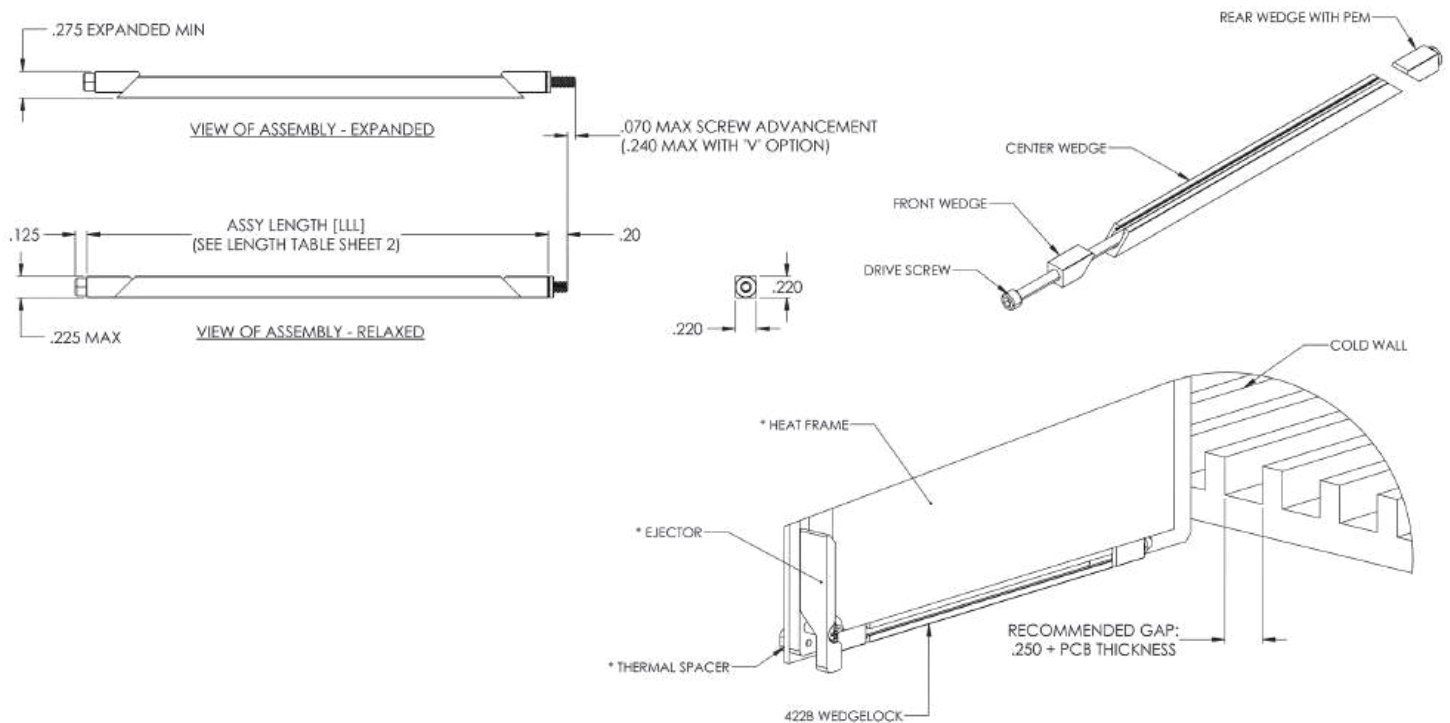
MATERIAL

WEDGES: ALUMINUM 6061-T6.

ALL OTHER HARDWARE: STAINLESS STEEL, PASSIVATED.

PARTS ARE SHIPPED AS COMPLETE ASSEMBLY EXCEPT FOR RIVET MOUNT OPTION

RECOMMENDED DRIVE SCREW TORQUE IS 6 IN-LBS (68 N-CM)



'B' STYLE		ASSEMBLY WITH LONG SCREW			DSCC CID
SERIES	WEDGES	HEIGHT	WIDTH	LENGTH (MIN)	
418B	3	0.180	0.240	1.80+	59590/11/12
422B	3	0.220	0.220	1.80+	59590/7/8/9/10
426B	3	0.260	0.225	1.80+	59590/3/4/5/6

422B DESIGN OPTIONS

[LLL] LENGTH TABLE		
ASSY LENGTH [LLL]	[H] MTG X	[C] OPTON X/2
280	0.900	0.450
330	1.400	0.700
380	1.900	0.950
430	2.400	1.200
480	2.900	1.450
530	3.400	1.700
580	3.900	1.950

OTHER LENGTHS AVAILABLE UPON REQUEST

[H] MOUNTING TABLE	
DASH NO	DESCRIPTION
A	NO MOUNTING HOLES
R	$\phi 0.068/0.073$ THRU $\phi .156 \times \sqrt{.16}$ $\phi 0.140 \times 100^\circ$
T	#0-80 UNF-2B THREADS
S	#2-56 UNC-2B THREADS
U	M2 X 0.4 - 6H THREADS
M	M2.5 X 0.45 - 6H THREADS

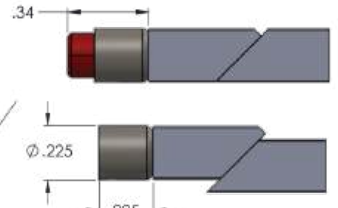
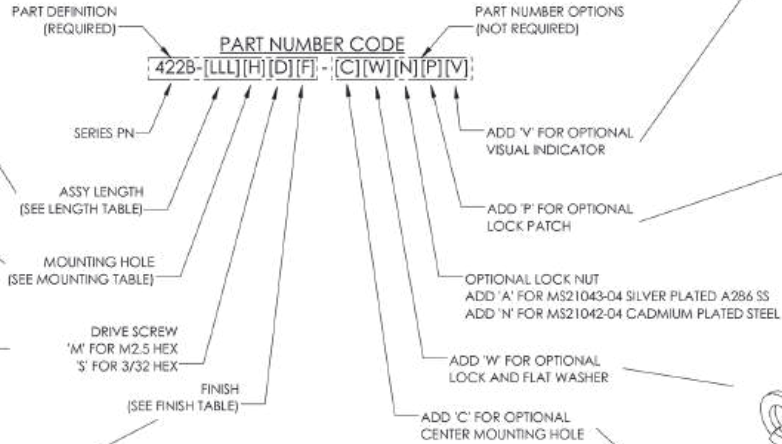
THREAD DEPTH $\sim 0.50'$ THRU



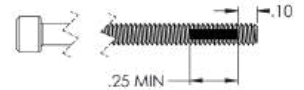
[F] FINISH TABLE	
DASH NO	DESCRIPTION
A	NO FINISH
G	CHROMATE PER MIL-DTL-5541, CLASS 1A, TYPE I (GOLD)
T	TRIVALENT CHROMATE PER MIL-DTL-5541, CLASS 1A, TYPE II (CLEAR), RoHS COMPLIANT
B	BLACK ANODIZE PER MIL-A-8625, TYPE II, CLASS 2
H	HARD BLACK ANODIZE PER MIL-A-8625, TYPE III, CLASS 2
D	HARD BLACK ANODIZE PER MIL-A-8625, TYPE III, CLASS 2 WITH DRY FILM LUBE PER MIL-L-46010
E	ELECTROLESS NICKEL PER MIL-C-26074, CLASS 4, GRADE B, BRIGHT
*N	NADCAP COMPLIANT (EX: 'BN' - BLACK ANODIZE, NADCAP)

NOTES:
 SHIP AS COMPLETE ASSEMBLY IN RELAXED STATE
 (IF RIVET MOUNTING OPTION IS SELECTED, SHIP UNASSEMBLED)

EXAMPLE
 422B-480UMG-CP
 422B WEDGELOCK ASSEMBLY
 4.80" LENGTH, M2 MTG, M2.5 SOCKET HEAD, GOLD CHROMATE
 CENTER MTG HOLE, LOCK PATCH



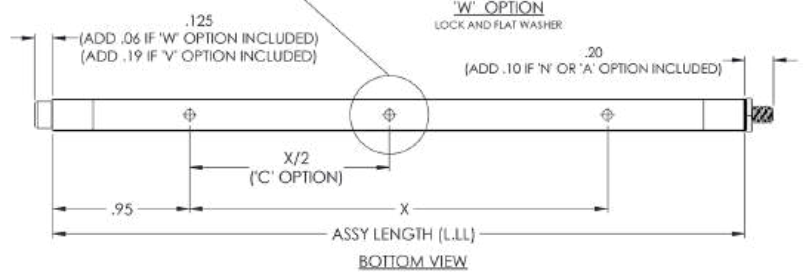
'V' OPTION
 VISUALLY CONFIRMS LOCKED IN PLACE WHEN RED SCREW HEAD IS CONCEALED



'P' OPTION
 NYLON PATCH PER MIL-F-18240 PROVIDES ADDITIONAL RESISTANCE TO SHOCK AND VIBRATION



'A' OR 'N' OPTION
 PREVENTS DISASSEMBLY OF REAR WEDGE FROM SCREW



NEED DESIGN ASSISTANCE?

c-a-design.com

FEATURES

- 3-Wedge Configuration with Long Screw
- Mounting Location: Center Wedge
- Lengths from 1.80" +
- Various finishes available
- Custom configurations available

426B GENERAL DIMENSIONS

'B' STYLE WEDGELOCKS



'B' STYLE

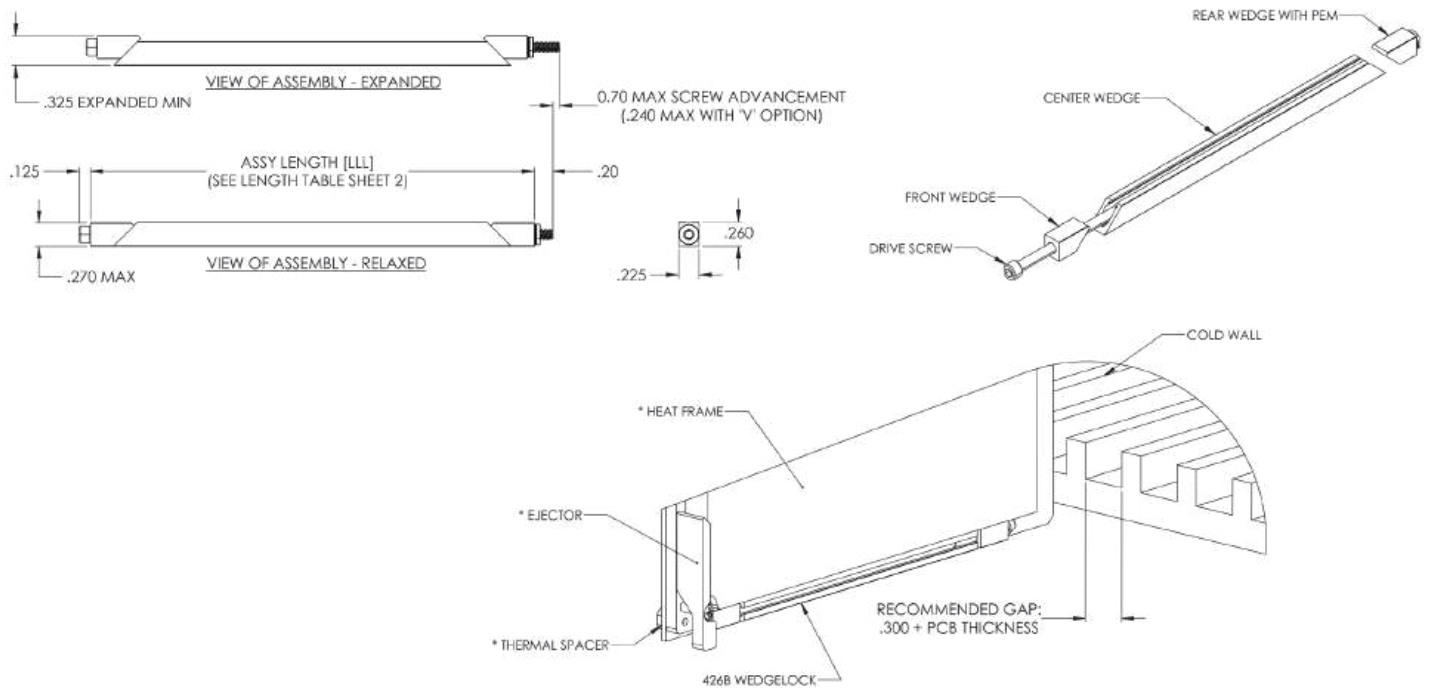
FEATURES

- DESIGNED FOR HEAVY SHOCK AND VIBRATION.
- UNIFORM CLAMPING FORCE AND HIGH THERMAL TRANSFER.
- NARROW WIDTH FOR MAXIMUM PCB COMPONENT AREA.
- LIGHT WEIGHT = ASSEMBLY LENGTH X .096 OZ [2.72 G] OR [1.07 G/CM]
- SPECIAL LENGTHS, FINISH, AND OTHER DESIGN OPTIONS AVAILABLE UPON REQUEST.

MATERIAL

WEDGES: ALUMINUM 6061-T6.
ALL OTHER HARDWARE: STAINLESS STEEL, PASSIVATED.

PARTS ARE SHIPPED AS COMPLETE ASSEMBLY EXCEPT FOR RIVET MOUNT OPTION
RECOMMENDED DRIVE SCREW TORQUE IS 6 IN-LBS (68 N-CM)



'B' STYLE		ASSEMBLY WITH LONG SCREW			DSCC CID
SERIES	WEDGES	HEIGHT	WIDTH	LENGTH (MIN)	
418B	3	0.180	0.240	1.80+	59590/11/12
422B	3	0.220	0.220	1.80+	59590/7/8/9/10
426B	3	0.260	0.225	1.80+	59590/3/4/5/6

426B DESIGN OPTIONS

[LLL] LENGTH TABLE		
ASSY LENGTH [LLL]	[H] MTG X	[C] OPTON X/2
280	0.900	0.450
330	1.400	0.700
380	1.900	0.950
430	2.400	1.200
480	2.900	1.450
530	3.400	1.700
580	3.900	1.950

OTHER LENGTHS AVAILABLE UPON REQUEST

[H] MOUNTING TABLE	
DASH NO	DESCRIPTION
A	NO MOUNTING HOLES
R	$\phi 0.068/0.073$ THRU $\phi .156 \times \sqrt{.20}$ $\phi 0.140 \times 100'$
T	#0-80 UNF-2B THREADS
S	#2-56 UNC-2B THREADS
U	M2 X 0.4 - 6H THREADS
M	M2.5 X 0.45 - 6H THREADS

THREAD DEPTH $\sim 0.50'$ THRU



[F] FINISH TABLE	
DASH NO	DESCRIPTION
A	NO FINISH
G	CHROMATE PER MIL-DTL-5541, CLASS 1A, TYPE I (GOLD)
T	TRIVALENT CHROMATE PER MIL-DTL-5541, CLASS 1A, TYPE II (CLEAR), RoHS COMPLIANT
B	BLACK ANODIZE PER MIL-A-8625, TYPE II, CLASS 2
H	HARD BLACK ANODIZE PER MIL-A-8625, TYPE III, CLASS 2
D	HARD BLACK ANODIZE PER MIL-A-8625, TYPE III, CLASS 2 WITH DRY FILM LUBE PER MIL-L-46010
E	ELECTROLESS NICKEL PER MIL-C-26074, CLASS 4, GRADE B, BRIGHT
*N	NADCAP COMPLIANT (EX: 'BN' - BLACK ANODIZE, NADCAP)

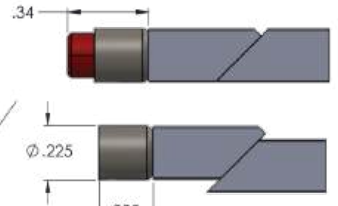
NOTES:
 SHIP AS COMPLETE ASSEMBLY IN RELAXED STATE
 (IF RIVET MOUNTING OPTION IS SELECTED, SHIP UNASSEMBLED)

EXAMPLE
 426B-480UMG-CP
 426B WEDGELOCK ASSEMBLY
 4.80" LENGTH, M2 MTG, M2.5 SOCKET HEAD, GOLD CHROMATE
 CENTER MTG HOLE, LOCK PATCH

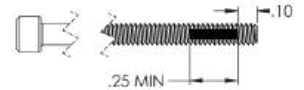
PART DEFINITION (REQUIRED) PART NUMBER OPTIONS (NOT REQUIRED)

PART NUMBER CODE
 426B-[LLL][H][D][F]-[C][W][N][P][V]

SERIES PN → 426B
 ASSY LENGTH (SEE LENGTH TABLE) → [LLL]
 MOUNTING HOLE (SEE MOUNTING TABLE) → [H]
 DRIVE SCREW 'M' FOR M2.5 HEX 'S' FOR 3/32 HEX → [D]
 FINISH (SEE FINISH TABLE) → [F]
 OPTIONAL LOCK NUT ADD 'A' FOR MS21043-04 SILVER PLATED A286 SS ADD 'N' FOR MS21042-04 CADMIUM PLATED STEEL → [C]
 ADD 'W' FOR OPTIONAL LOCK AND FLAT WASHER → [W]
 ADD 'N' FOR MS21042-04 CADMIUM PLATED STEEL → [N]
 ADD 'P' FOR OPTIONAL LOCK PATCH → [P]
 ADD 'V' FOR OPTIONAL VISUAL INDICATOR → [V]



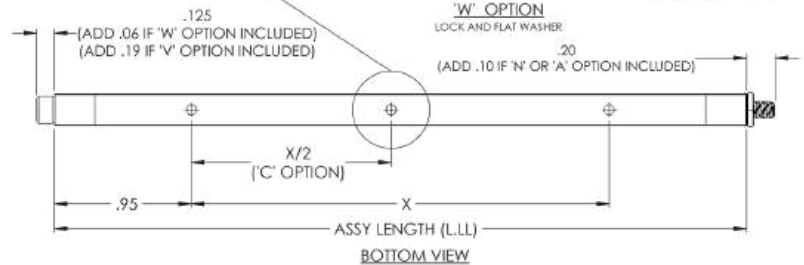
'V' OPTION
 VISUALLY CONFIRMS LOCKED IN PLACE WHEN RED SCREW HEAD IS CONCEALED



'P' OPTION
 NYLON PATCH PER MIL-F-18240 PROVIDES ADDITIONAL RESISTANCE TO SHOCK AND VIBRATION



'A' OR 'N' OPTION
 PREVENTS DISASSEMBLY OF REAR WEDGE FROM SCREW



NEED DESIGN ASSISTANCE?

c-a-design.com

FEATURES

- 3-Wedge Configuration with Long Screw
- Mounting Location: Center Wedge
- Lengths from 1.80" +
- Various finishes available
- Custom configurations available

422C GENERAL DIMENSIONS

'C' STYLE WEDGELOCKS



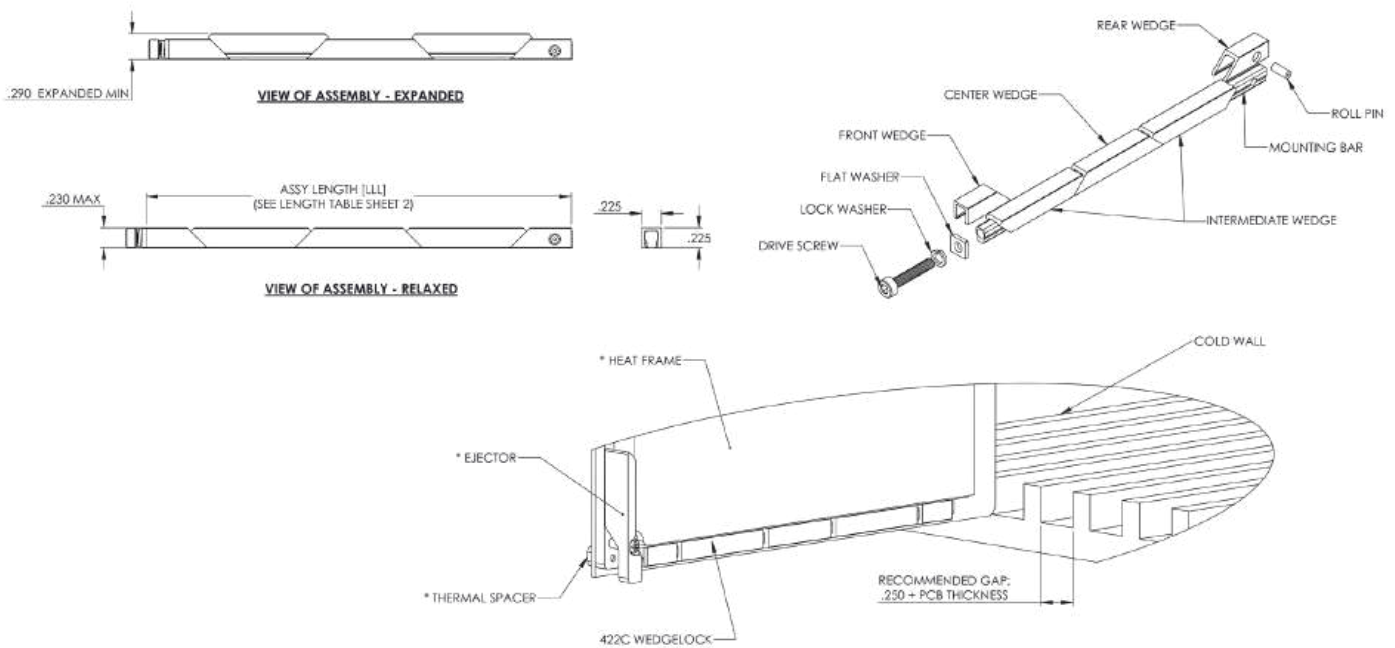
FEATURES

- DESIGNED FOR HEAVY SHOCK AND VIBRATION.
- UNIFORM CLAMPING FORCE AND HIGH THERMAL TRANSFER.
- NARROW WIDTH FOR MAXIMUM PCB COMPONENT AREA.
- LOW PROFILE DESIGN ALLOWS FOR DECREASED SLOT PITCH.
- CAPTIVATED REAR WEDGE.
- LIGHT WEIGHT = ASSEMBLY LENGTH X .080 OZ [2.27 G] OR [.89 G/CM]
- SPECIAL LENGTHS, FINISH, AND OTHER DESIGN OPTIONS AVAILABLE UPON REQUEST.

MATERIAL

MOUNTING BAR AND WEDGES: ALUMINUM 6063-T6.
ALL OTHER HARDWARE: STAINLESS STEEL, PASSIVATED.

PARTS ARE SHIPPED AS COMPLETE ASSEMBLY EXCEPT FOR RIVET MOUNT OPTION
RECOMMENDED DRIVE SCREW TORQUE IS 6 IN-LBS (68 N-CM)
8IN-LBS (90 N-CM) ALLOWABLE MAX WITH LOCK PATCH



'C' STYLE		ASSEMBLY WITH MOUNTING BAR			DSCC CID
SERIES	WEDGES	HEIGHT	WIDTH	LENGTH (MIN)	
422C	5	0.225	0.225	2.80+	59789/9/10
422C7	7	0.225	0.225	4.80+	59950/1/2
426C	5	0.260	0.250	2.80+	59789/19/20
426C7	7	0.260	0.250	4.80+	59950/3/4
438C	5	0.375	0.365	3.80+	59789/15

422C DESIGN OPTIONS

[LLL] LENGTH TABLE	[H] MTG X	[C] OPITON X/2
280	0.900	0.450
330	1.400	0.700
380	1.900	0.950
430	2.400	1.200
480	2.900	1.450
530	3.400	1.700
580	3.900	1.950
630	4.400	2.200
680	4.900	2.450
730	5.400	2.700
780	5.900	2.950

OTHER LENGTHS AVAILABLE UPON REQUEST

[H] MOUNTING TABLE	DESCRIPTION
A	NO MOUNTING HOLES
R	Ø 0.068/0.073 THRU Ø 0.213 X 100"
T	#0-80 UNF-2B THREADS
S	#2-56 UNC-2B THREADS
U	M2 X 0.4 - 6H THREADS
M	M2.5 X 0.45 - 6H THREADS

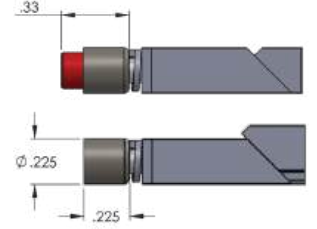
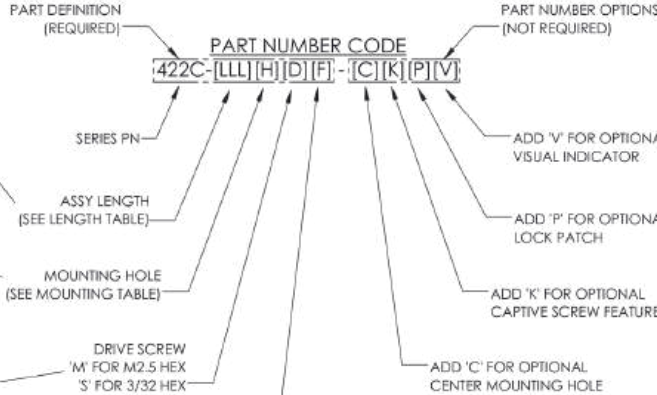
THREAD DEPTH .190

[F] FINISH TABLE	DESCRIPTION
A	NO FINISH
G	CHROMATE PER MIL-DTL-5541, CLASS 1A, TYPE I (GOLD)
T	TRIVALENT CHROMATE PER MIL-DTL-5541, CLASS 1A, TYPE II (CLEAR), RoHS COMPLIANT
B	BLACK ANODIZE PER MIL-A-8625, TYPE II, CLASS 2
H	HARD BLACK ANODIZE PER MIL-A-8625, TYPE III, CLASS 2
D	HARD BLACK ANODIZE PER MIL-A-8625, TYPE III, CLASS 2 WITH DRY FILM LUBE PER MIL-L-4601D
E	ELECTROLESS NICKEL PER MIL-C-26074, CLASS 4, GRADE B, BRIGHT
N	NADCAP COMPLIANT (EX: 'BN' - BLACK ANODIZE, NADCAP)

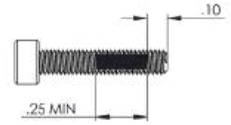
- NOTES:
- ⚠ SHIP AS COMPLETE ASSEMBLY IN RELAXED STATE (IF RIVET MOUNTING OPTION IS SELECTED, SHIP UNASSEMBLED)
 - ⚠ NOT RECOMMENDED, REVIEW WITH FACTORY

EXAMPLE
 422C-48055B-CKP
 422C WEDGELOCK ASSEMBLY
 4.80" LENGTH, 2-56 MTG, 3/32 SOCKET HEAD, BLACK ANODIZE
 CENTER MTG HOLE, CAPTIVE SCREW, LOCK PATCH

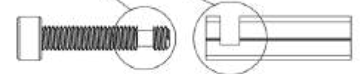
PART NUMBER CODE
 422C-[LLL][H][D][F]-[C][K][P][V]



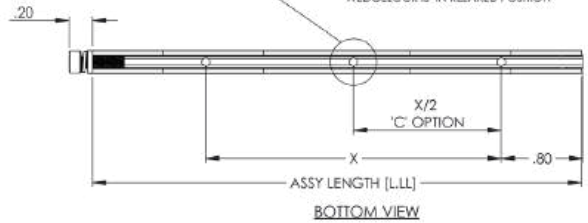
'V' OPTION
 VISUALLY CONFIRMS LOCKED IN PLACE WHEN RED SCREW HEAD IS CONCEALED



'P' OPTION
 NYLON PATCH PER MIL-F-18240 PROVIDES ADDITIONAL RESISTANCE TO SHOCK AND VIBRATION



'K' OPTION
 CAPTIVATES SCREW BY FREE SPINNING WHEN WEDGELOCK IS IN RELAXED POSITION



BOTTOM VIEW

FEATURES

- 3, 5, or 7-Wedge Configuration with Mounting Bar
- Mounting Location: Mounting Bar
- Lengths from 2.80"+
- Various finishes available
- Custom configurations available

NEED DESIGN ASSISTANCE?

c-a-design.com

422C7 GENERAL DIMENSIONS

'C' STYLE WEDGELOCKS



'C' STYLE

FEATURES

- DESIGNED FOR HEAVY SHOCK AND VIBRATION.
- UNIFORM CLAMPING FORCE AND HIGH THERMAL TRANSFER.
- NARROW WIDTH FOR MAXIMUM PCB COMPONENT AREA.
- LOW PROFILE DESIGN ALLOWS FOR DECREASED SLOT PITCH.
- CAPTIVATED REAR WEDGE.
- LIGHT WEIGHT = ASSEMBLY LENGTH X .085 OZ [2.40 G] OR [.95 G/CM]
- SPECIAL LENGTHS, FINISH, AND OTHER DESIGN OPTIONS AVAILABLE UPON REQUEST.

MATERIAL

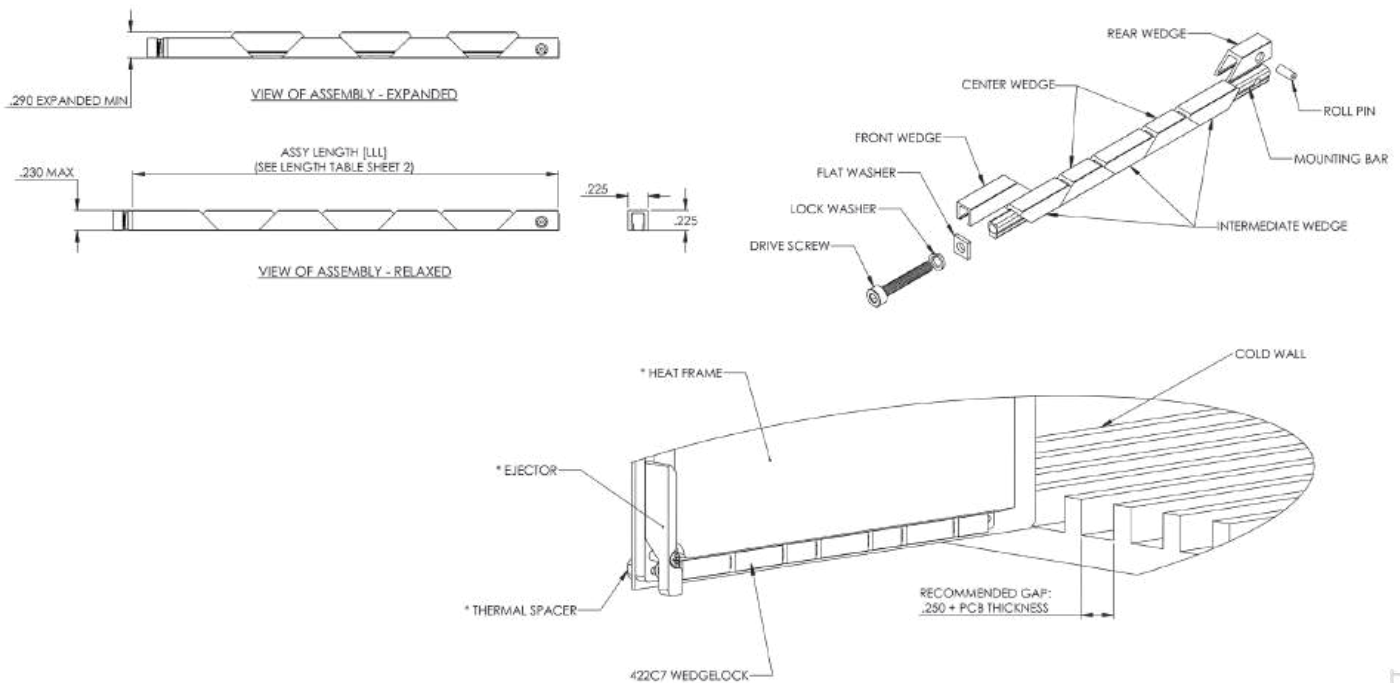
MOUNTING BAR AND WEDGES: ALUMINUM 6063-T6.

ALL OTHER HARDWARE: STAINLESS STEEL, PASSIVATED.

PARTS ARE SHIPPED AS COMPLETE ASSEMBLY EXCEPT FOR RIVET MOUNT OPTION

RECOMMENDED DRIVE SCREW TORQUE IS 6 IN-LBS (68 N-CM)

8IN-LBS (90 N-CM) ALLOWABLE MAX WITH LOCK PATCH



'C' STYLE		ASSEMBLY WITH MOUNTING BAR			DSCC CID
SERIES	WEDGES	HEIGHT	WIDTH	LENGTH (MIN)	
422C	5	0.225	0.225	2.80+	59789/9/10
422C7	7	0.225	0.225	4.80+	59950/1/2
426C	5	0.260	0.250	2.80+	59789/19/20
426C7	7	0.260	0.250	4.80+	59950/3/4
438C	5	0.375	0.365	3.80+	59789/15

422C7 DESIGN OPTIONS

[LLL] LENGTH TABLE		
ASSY LENGTH [LLL]	[H] MTG X	[C] OPITON X/2
480	2.900	1.450
530	3.400	1.700
580	3.900	1.950
630	4.400	2.200
680	4.900	2.450
730	5.400	2.700
780	5.900	2.950
830	6.400	3.200
880	6.900	3.450
930	7.400	3.700
980	7.900	3.950

OTHER LENGTHS AVAILABLE UPON REQUEST

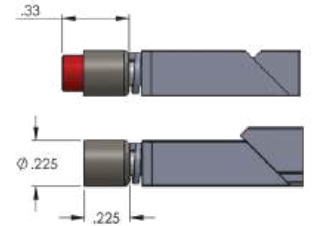
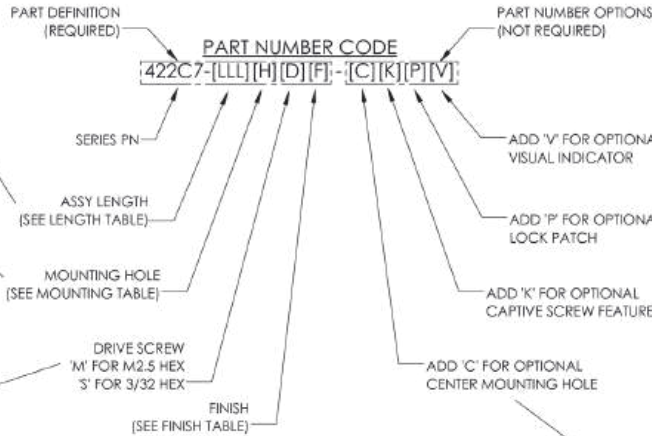
[H] MOUNTING TABLE	
DASH NO	DESCRIPTION
A	NO MOUNTING HOLES
R	Ø 0.068/0.073 THRU Ø 0.213 X 100°
T	#0-80 UNF-2B THREADS
S	#2-56 UNC-2B THREADS
U	M2 X 0.4 - 6H THREADS
M	M2.5 X 0.45 - 6H THREADS

THREAD DEPTH .190

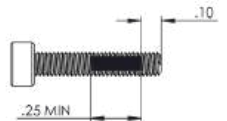
[F] FINISH TABLE	
DASH NO	DESCRIPTION
A	NO FINISH
G	CHROMATE PER MIL-DTL-5541, CLASS 1A, TYPE I (GOLD)
T	TRIVALENT CHROMATE PER MIL-DTL-5541, CLASS 1A, TYPE II (CLEAR), RoHS COMPLIANT
B	BLACK ANODIZE PER MIL-A-8625, TYPE II, CLASS 2
H	HARD BLACK ANODIZE PER MIL-A-8625, TYPE III, CLASS 2
D	HARD BLACK ANODIZE PER MIL-A-8625, TYPE III, CLASS 2 WITH DRY FILM LUBE PER MIL-L-46010
E	ELECTROLESS NICKEL PER MIL-C-26074, CLASS 4, GRADE B, BRIGHT
N	NADCAP COMPLIANT (EX: 'BN' - BLACK ANODIZE, NADCAP)

- NOTES:
- SHIP AS COMPLETE ASSEMBLY IN RELAXED STATE (IF RIVET MOUNTING OPTION IS SELECTED, SHIP UNASSEMBLED)
 - NOT RECOMMENDED, REVIEW WITH FACTORY

EXAMPLE
 422C7-480SSB-CKP
 422C7 WEDGELOCK ASSEMBLY
 4.80" LENGTH, 2-56 MTG, 3/32 SOCKET HEAD, BLACK ANODIZE
 CENTER MTG HOLE, CAPTIVE SCREW, LOCK PATCH



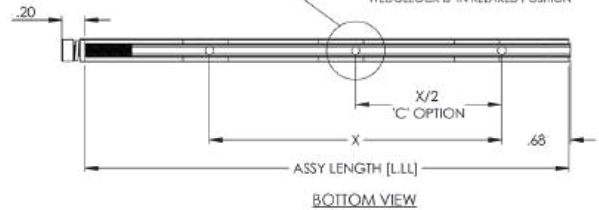
'V' OPTION
 VISUALLY CONFIRMS LOCKED IN PLACE WHEN RED SCREW HEAD IS CONCEALED



'P' OPTION
 NYLON PATCH PER MIL-F-18240 PROVIDES ADDITIONAL RESISTANCE TO SHOCK AND VIBRATION



'K' OPTION
 CAPTIVATES SCREW BY FREE SPINNING WHEN WEDGELOCK IS IN RELAXED POSITION



NEED DESIGN ASSISTANCE?

c-a-design.com

FEATURES

- 3, 5, or 7-Wedge Configuration with Mounting Bar
- Mounting Location: Mounting Bar
- Lengths from 2.80" +
- Various finishes available
- Custom configurations available

426C GENERAL DIMENSIONS

'C' STYLE WEDGELOCKS



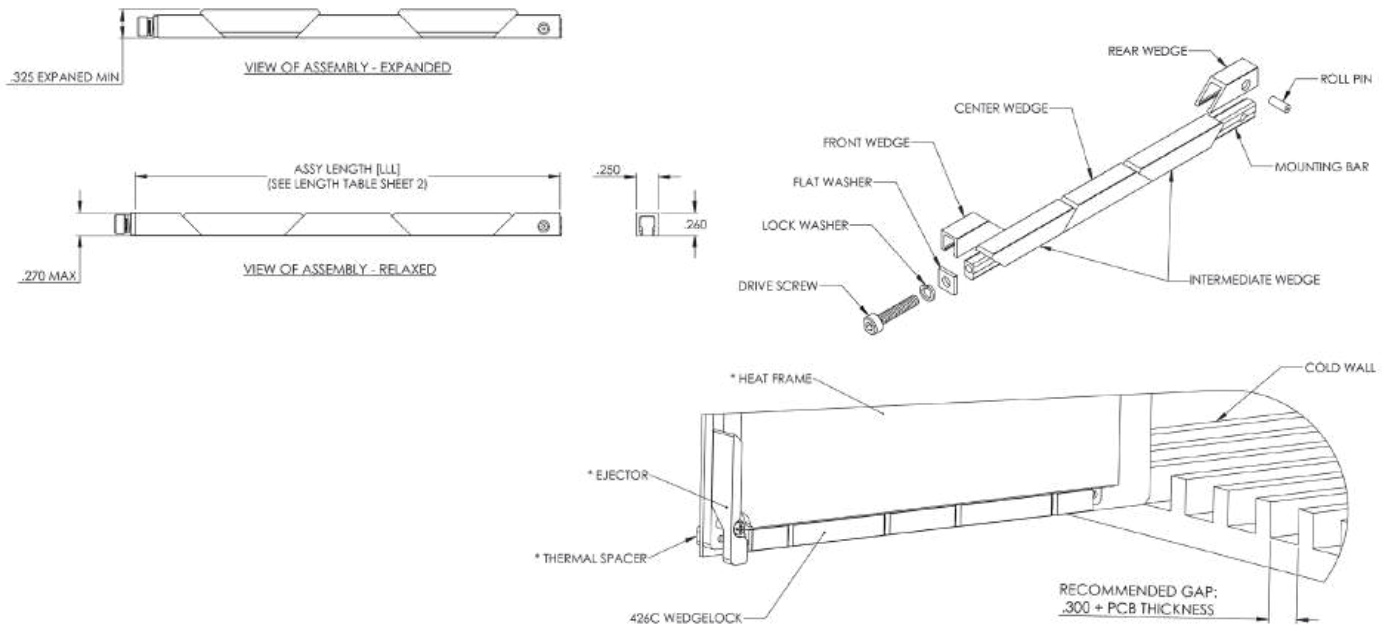
FEATURES

- DESIGNED FOR HEAVY SHOCK AND VIBRATION.
- UNIFORM CLAMPING FORCE AND HIGH THERMAL TRANSFER.
- NARROW WIDTH FOR MAXIMUM PCB COMPONENT AREA.
- LOW PROFILE DESIGN ALLOWS FOR DECREASED SLOT PITCH.
- CAPTIVATED REAR WEDGE.
- LIGHT WEIGHT = ASSEMBLY LENGTH X .085 OZ [2.41 G] OR [.95 G/CM]
- SPECIAL LENGTHS, FINISH, AND OTHER DESIGN OPTIONS AVAILABLE UPON REQUEST.

MATERIAL

MOUNTING BAR AND WEDGES: ALUMINUM 6063-T6.
ALL OTHER HARDWARE: STAINLESS STEEL, PASSIVATED.

PARTS ARE SHIPPED AS COMPLETE ASSEMBLY EXCEPT FOR RIVET MOUNT OPTION
RECOMMENDED DRIVE SCREW TORQUE IS 6 IN-LBS (68 N-CM)
8IN-LBS (90 N-CM) ALLOWABLE MAX WITH LOCK PATCH



'C' STYLE		ASSEMBLY WITH MOUNTING BAR			DSCC CID
SERIES	WEDGES	HEIGHT	WIDTH	LENGTH (MIN)	
422C	5	0.225	0.225	2.80+	59789/9/10
422C7	7	0.225	0.225	4.80+	59950/1/2
426C	5	0.260	0.250	2.80+	59789/19/20
426C7	7	0.260	0.250	4.80+	59950/3/4
438C	5	0.375	0.365	3.80+	59789/15

426C DESIGN OPTIONS

[LLL] LENGTH TABLE		
ASSY LENGTH [LLL]	[H] MTG X	[C] OPTION X/2
280	0.900	0.450
330	1.400	0.700
380	1.900	0.950
430	2.400	1.200
480	2.900	1.450
530	3.400	1.700
580	3.900	1.950
630	4.400	2.200
680	4.900	2.450
730	5.400	2.700
780	5.900	2.950

OTHER LENGTHS AVAILABLE UPON REQUEST

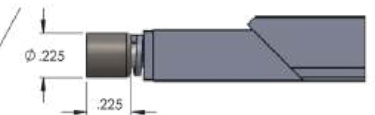
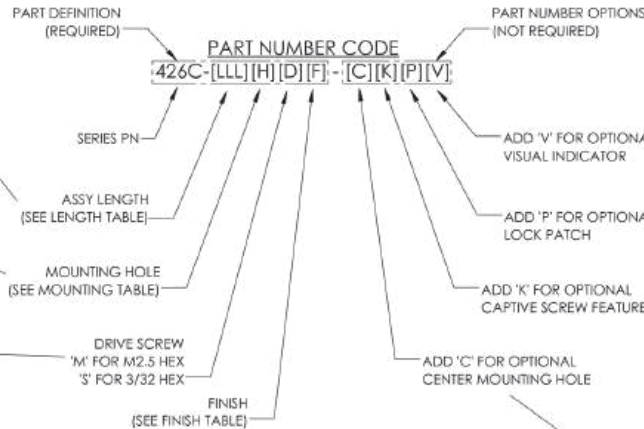
[H] MOUNTING TABLE	
DASH NO	DESCRIPTION
A	NO MOUNTING HOLES
R	$\varnothing 0.068/0.073$ THRU $\varnothing 0.213 \times 100^\circ$
T	#0-80 UNF-2B THREADS
S	#2-56 UNC-2B THREADS
U	M2 X 0.4 - 6H THREADS
M	M2.5 X 0.45 - 6H THREADS THREAD DEPTH .215



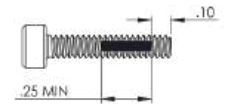
[F] FINISH TABLE	
DASH NO	DESCRIPTION
A	NO FINISH
G	CHROMATE PER MIL-DTL-5541, CLASS 1A, TYPE I (GOLD)
T	TRIVALENT CHROMATE PER MIL-DTL-5541, CLASS 1A, TYPE II (CLEAR), RoHS COMPLIANT
B	BLACK ANODIZE PER MIL-A-8625, TYPE II, CLASS 2
H	HARD BLACK ANODIZE PER MIL-A-8625, TYPE III, CLASS 2
D	HARD BLACK ANODIZE PER MIL-A-8625, TYPE III, CLASS 2 WITH DRY FILM LUBE PER MIL-L-46010
E	ELECTROLESS NICKEL PER MIL-C-26074, CLASS 4, GRADE B, BRIGHT
*N	NADCAP COMPLIANT (EX: 'BN' - BLACK ANODIZE, NADCAP)

NOTES:
 SHIP AS COMPLETE ASSEMBLY IN RELAXED STATE
 (IF RIVET MOUNTING OPTION IS SELECTED, SHIP UNASSEMBLED)

EXAMPLE
 426C-480SSB-CKP
 426C WEDGELock ASSEMBLY
 4.80" LENGTH, 2-56 MTG, 3/32 SOCKET HEAD, BLACK ANODIZE
 CENTER MTG HOLE, CAPTIVE SCREW, LOCK PATCH



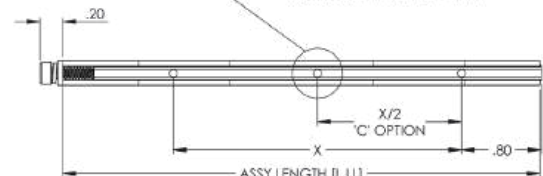
V' OPTION
 VISUALLY CONFIRMS LOCKED IN PLACE WHEN RED SCREW HEAD IS CONCEALED



P' OPTION
 NYLON PATCH PER MIL-F-18240 PROVIDES ADDITIONAL RESISTANCE TO SHOCK AND VIBRATION



K' OPTION
 CAPTIVATES SCREW BY FREE SPINNING WHEN WEDGELock IS IN RELAXED POSITION



BOTTOM VIEW

NEED DESIGN ASSISTANCE?

c-a-design.com

FEATURES

- 3, 5, or 7-Wedge Configuration with Mounting Bar
- Mounting Location: Mounting Bar
- Lengths from 2.80" +
- Various finishes available
- Custom configurations available

426C7 GENERAL DIMENSIONS

'C' STYLE WEDGELOCKS



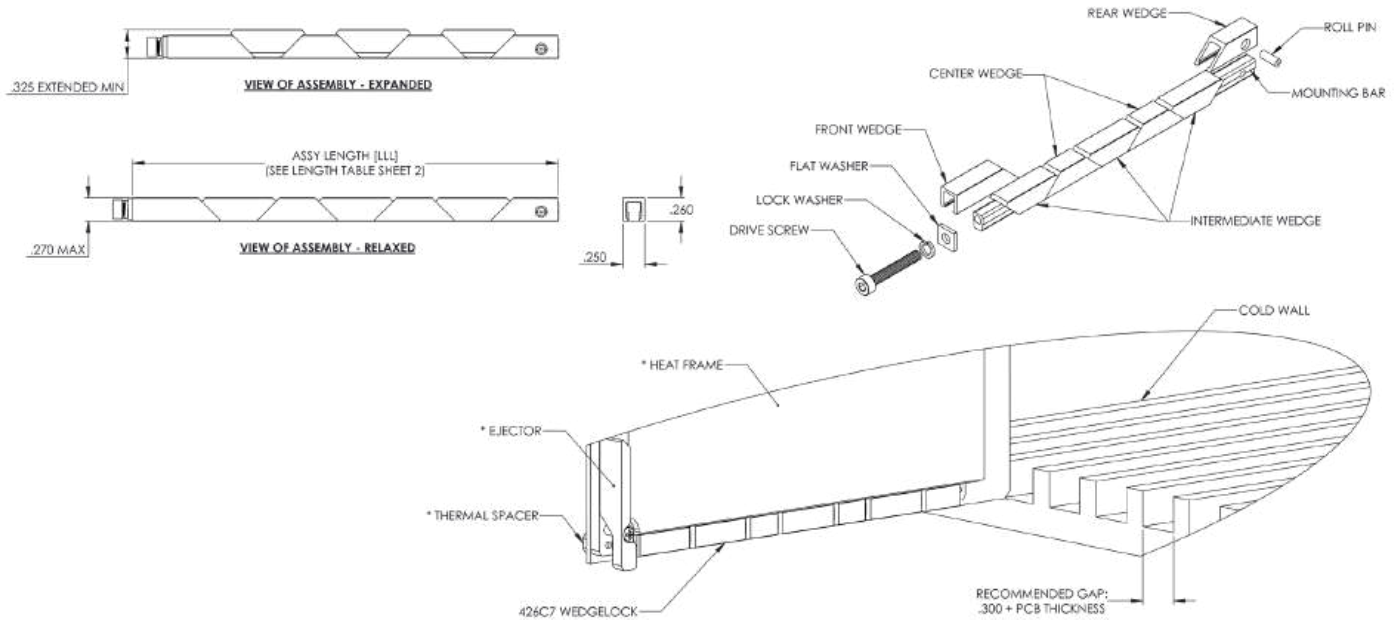
FEATURES

- DESIGNED FOR HEAVY SHOCK AND VIBRATION.
- UNIFORM CLAMPING FORCE AND HIGH THERMAL TRANSFER.
- NARROW WIDTH FOR MAXIMUM PCB COMPONENT AREA.
- LOW PROFILE DESIGN ALLOWS FOR DECREASED SLOT PITCH.
- CAPTIVATED REAR WEDGE.
- LIGHT WEIGHT = ASSEMBLY LENGTH X .085 OZ [2.41 G] OR [.95 G/CM]
- SPECIAL LENGTHS, FINISH, AND OTHER DESIGN OPTIONS AVAILABLE UPON REQUEST.

MATERIAL

MOUNTING BAR AND WEDGES: ALUMINUM 6063-T6.
ALL OTHER HARDWARE: STAINLESS STEEL, PASSIVATED.

PARTS ARE SHIPPED AS COMPLETE ASSEMBLY EXCEPT FOR RIVET MOUNT OPTION
RECOMMENDED DRIVE SCREW TORQUE IS 6 IN-LBS (68 N-CM)
8IN-LBS (90 N-CM) ALLOWABLE MAX WITH LOCK PATCH



'C' STYLE		ASSEMBLY WITH MOUNTING BAR			DSCC CID
SERIES	WEDGES	HEIGHT	WIDTH	LENGTH (MIN)	
422C	5	0.225	0.225	2.80+	59789/9/10
422C7	7	0.225	0.225	4.80+	59950/1/2
426C	5	0.260	0.250	2.80+	59789/19/20
426C7	7	0.260	0.250	4.80+	59950/3/4
438C	5	0.375	0.365	3.80+	59789/15

426C7 DESIGN OPTIONS

[LLL] LENGTH TABLE		
ASSY LENGTH [LLL]	[H] MTG X	[C] OPITON X/2
480	2.900	1.450
530	3.400	1.700
580	3.900	1.950
630	4.400	2.200
680	4.900	2.450
730	5.400	2.700
780	5.900	2.950
830	6.400	3.200
880	6.900	3.450
930	7.400	3.700
980	7.900	3.950

OTHER LENGTHS AVAILABLE UPON REQUEST

[H] MOUNTING TABLE	
DASH NO	DESCRIPTION
A	NO MOUNTING HOLES
R	$\varnothing 0.068/0.073$ THRU $\varnothing 0.213 \times 100^\circ$
T	#0-80 UNF-2B THREADS
S	#2-56 UNC-2B THREADS
U	M2 X 0.4 - 6H THREADS
M	M2.5 X 0.45 - 6H THREADS

THREAD DEPTH .215

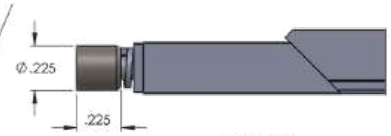
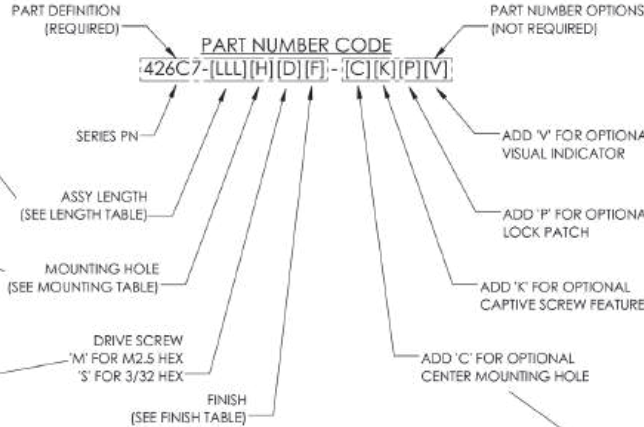


[F] FINISH TABLE	
DASH NO	DESCRIPTION
A	NO FINISH
G	CHROMATE PER MIL-DTL-5541, CLASS 1A, TYPE I (GOLD)
T	TRIVALENT CHROMATE PER MIL-DTL-5541, CLASS 1A, TYPE II (CLEAR), RoHS COMPLIANT
B	BLACK ANODIZE PER MIL-A-8625, TYPE II, CLASS 2
H	HARD BLACK ANODIZE PER MIL-A-8625, TYPE III, CLASS 2
D	HARD BLACK ANODIZE PER MIL-A-8625, TYPE III, CLASS 2 WITH DRY FILM LUBE PER MIL-L-46010
E	ELECTROLESS NICKEL PER MIL-C-26074, CLASS 4, GRADE B, BRIGHT
*N	NADCAP COMPLIANT (EX: 'BN' - BLACK ANODIZE, NADCAP)

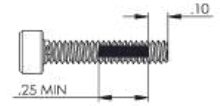
NOTES:
 SHIP AS COMPLETE ASSEMBLY IN RELAXED STATE
 (IF RIVET MOUNTING OPTION IS SELECTED, SHIP UNASSEMBLED)

EXAMPLE
 426C7-480SSB-CKP
 426C7 WEDGELOCK ASSEMBLY
 4.80" LENGTH, 2-56 MTG, 3/32 SOCKET HEAD, BLACK ANODIZE
 CENTER MTG HOLE, CAPTIVE SCREW, LOCK PATCH

PART NUMBER CODE
 426C7-[LLL][H][D][F]-[C][K][P][M]



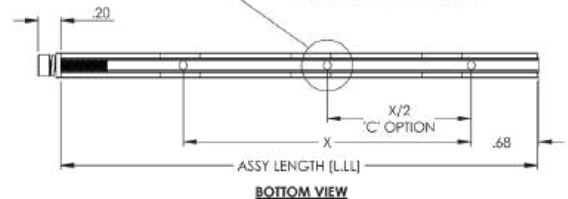
'V' OPTION
 VISUALLY CONFIRMS LOCKED IN PLACE
 WHEN RED SCREW HEAD IS CONCEALED



'P' OPTION
 NYLON PATCH PER MIL-F-18240
 PROVIDES ADDITIONAL RESISTANCE TO
 SHOCK AND VIBRATION



'K' OPTION
 CAPTIVATES SCREW BY FREE SPINNING WHEN
 WEDGELOCK IS IN RELAXED POSITION



FEATURES

NEED DESIGN ASSISTANCE?

c-a-design.com

- 3, 5, or 7-Wedge Configuration with Mounting Bar
- Mounting Location: Mounting Bar
- Lengths from 2.80"+
- Various finishes available
- Custom configurations available

438C GENERAL DIMENSIONS

'C' STYLE WEDGELOCKS



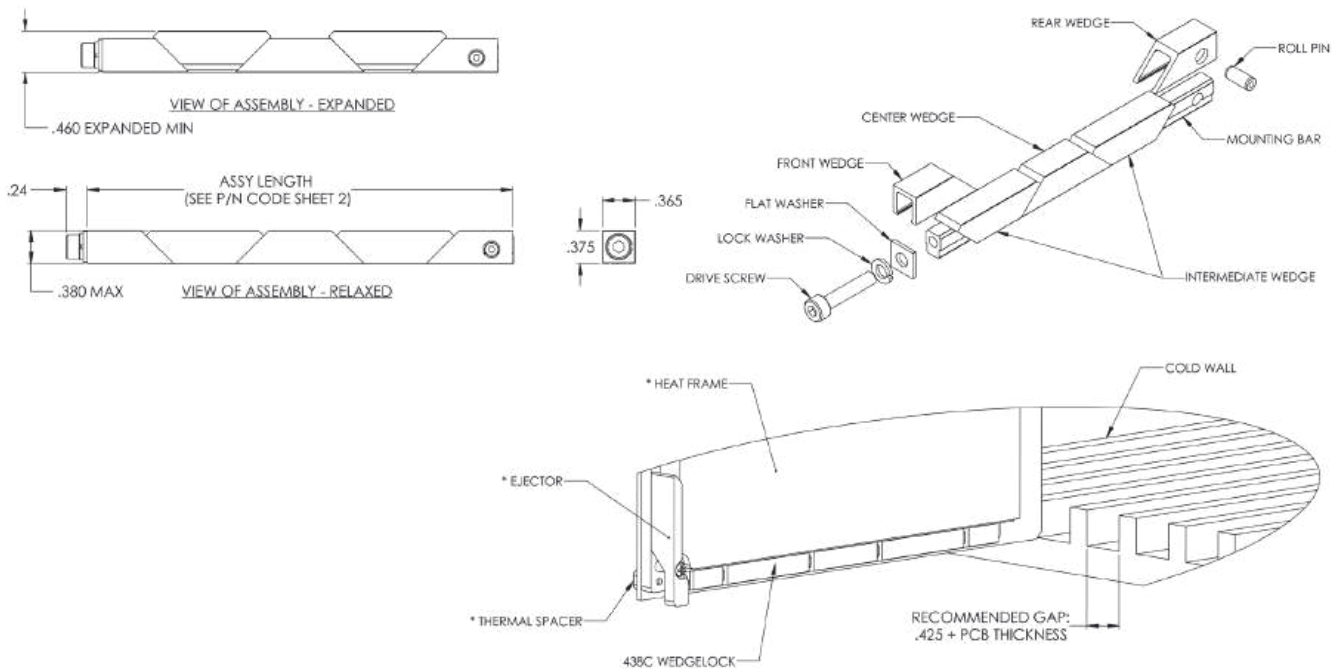
FEATURES

- DESIGNED FOR HEAVY SHOCK AND VIBRATION.
- UNIFORM CLAMPING FORCE AND HIGH THERMAL TRANSFER.
- NARROW WIDTH FOR MAXIMUM PCB COMPONENT AREA.
- LOW PROFILE DESIGN ALLOWS FOR DECREASED SLOT PITCH.
- CAPTIVATED REAR WEDGE.
- LIGHT WEIGHT = ASSEMBLY LENGTH X .195 OZ [5.53 G] OR [2.18 G/CM]
- SPECIAL LENGTHS, FINISH, AND OTHER DESIGN OPTIONS AVAILABLE UPON REQUEST.

MATERIAL

MOUNTING BAR AND WEDGES: ALUMINUM 6063-T6.
ALL OTHER HARDWARE: STAINLESS STEEL, PASSIVATED.

PARTS ARE SHIPPED AS COMPLETE ASSEMBLY EXCEPT FOR RIVET MOUNT OPTION
RECOMMENDED DRIVE SCREW TORQUE IS 20 IN-LBS (2.3 N-M)
24 IN-LBS (2.8 N-M) ALLOWABLE MAX WITH LOCK PATCH



'C' STYLE		ASSEMBLY WITH MOUNTING BAR			DSCC CID
SERIES	WEDGES	HEIGHT	WIDTH	LENGTH (MIN)	
422C	5	0.225	0.225	2.80+	59789/9/10
422C7	7	0.225	0.225	4.80+	59950/1/2
426C	5	0.260	0.250	2.80+	59789/19/20
426C7	7	0.260	0.250	4.80+	59950/3/4
438C	5	0.375	0.365	3.80+	59789/15

438C DESIGN OPTIONS

[L] LENGTH TABLE		
ASSY LENGTH [L]	[H] MTG X	[C] OPTION X/2
430	2.150	1.075
480	2.650	1.325
530	3.150	1.575
580	3.650	1.825
630	4.150	2.075
680	4.650	2.325
730	5.150	2.575
780	5.650	2.825

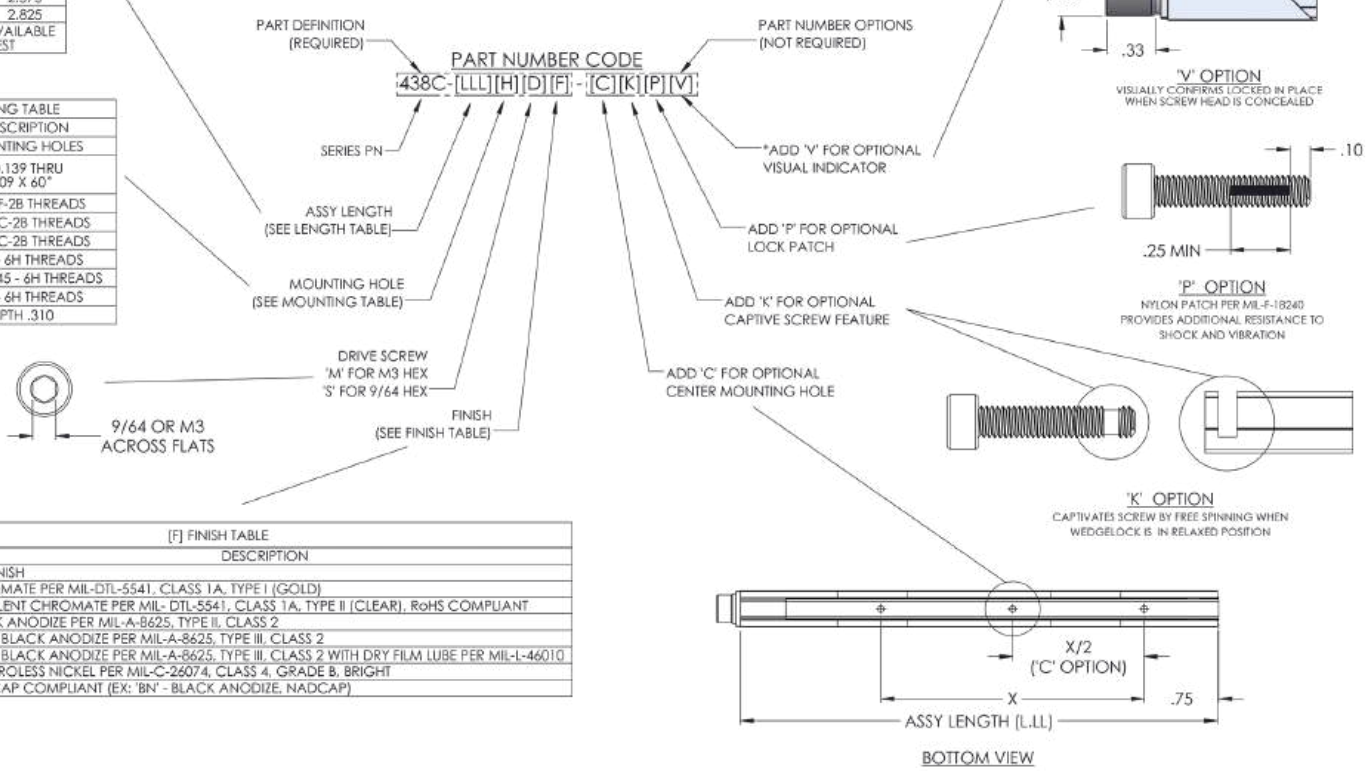
OTHER LENGTHS AVAILABLE UPON REQUEST

[H] MOUNTING TABLE	
DASH NO	DESCRIPTION
A	NO MOUNTING HOLES
R	$\phi 0.134/0.139$ THRU $\phi 0.309 \times 60^\circ$
T	#0-80 UNF-2B THREADS
S	#2-56 UNC-2B THREADS
V	#4-40 UNC-2B THREADS
U	M2 X 0.4 - 6H THREADS
M	M2.5 X 0.45 - 6H THREADS
Y	M3 X 0.5 - 6H THREADS
THREAD DEPTH .310	

[F] FINISH TABLE	
DASH NO	DESCRIPTION
A	NO FINISH
G	CHROMATE PER MIL-DTL-5541, CLASS 1A, TYPE I (GOLD)
T	TRIVALENT CHROMATE PER MIL-DTL-5541, CLASS 1A, TYPE II (CLEAR), RoHS COMPLIANT
B	BLACK ANODIZE PER MIL-A-8625, TYPE II, CLASS 2
H	HARD BLACK ANODIZE PER MIL-A-8625, TYPE III, CLASS 2
D	HARD BLACK ANODIZE PER MIL-A-8625, TYPE III, CLASS 2 WITH DRY FILM LUBE PER MIL-L-46010
E	ELECTROLESS NICKEL PER MIL-C-26074, CLASS 4, GRADE B, BRIGHT
*N	NADCAP COMPLIANT (EX: 'BN' - BLACK ANODIZE, NADCAP)

EXAMPLE
 438C-480SSB-CKP
 438C WEDGELOCK ASSEMBLY
 4.80" LENGTH, 2-56 MTG, 9/64 SOCKET HEAD, BLACK ANODIZE
 CENTER MTG HOLE, CAPTIVE SCREW, LOCK PATCH

PART NUMBER CODE
 438C-[L][H][D][F]-[C][K][P][M]



NOTES:
 ⚠ SHIP AS COMPLETE ASSEMBLY IN RELAXED STATE
 (IF RIVET MOUNTING OPTION IS SELECTED, SHIP UNASSEMBLED)

FEATURES

NEED DESIGN ASSISTANCE?

c-a-design.com

- 3, 5, or 7-Wedge Configuration with Mounting Bar
- Mounting Location: Mounting Bar
- Lengths from 2.80"+
- Various finishes available
- Custom configurations available

422D GENERAL DIMENSIONS

'D' STYLE WEDGELOCKS



'D' STYLE

FEATURES

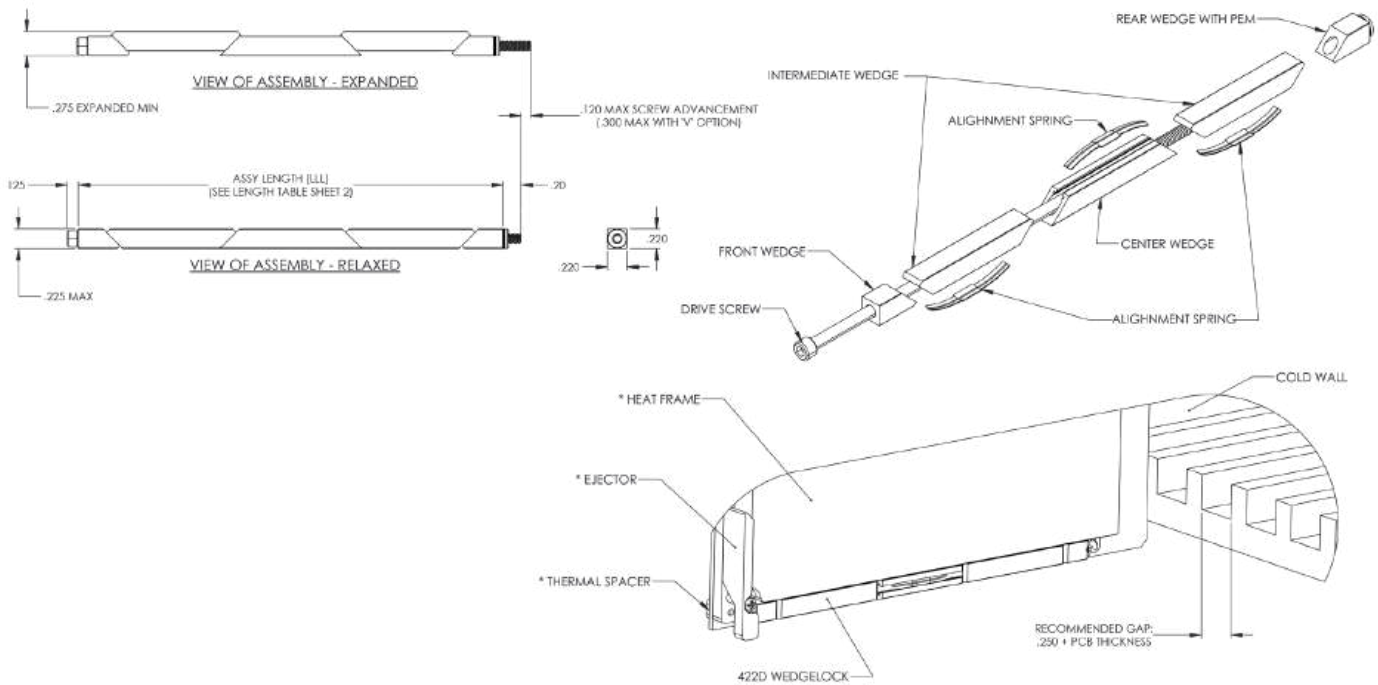
- DESIGNED FOR HEAVY SHOCK AND VIBRATION.
- UNIFORM CLAMPING FORCE AND HIGH THERMAL TRANSFER.
- NARROW WIDTH FOR MAXIMUM PCB COMPONENT AREA.
- LIGHT WEIGHT = ASSEMBLY LENGTH X .088 OZ [2.49 G] OR [.98 G/CM]
- SPECIAL LENGTHS, FINISH, AND OTHER DESIGN OPTIONS AVAILABLE UPON REQUEST.

MATERIAL

WEDGES: ALUMINUM 6061-T6.

ALL OTHER HARDWARE: STAINLESS STEEL, PASSIVATED.

PARTS ARE SHIPPED AS COMPLETE ASSEMBLY EXCEPT FOR RIVET MOUNT OPTION
RECOMMENDED DRIVE SCREW TORQUE IS 6 IN-LBS (68 N-CM)



'D' STYLE		ASSEMBLY WITH MOUNTING BAR			DSCC CID
SERIES	WEDGES	HEIGHT	WIDTH	LENGTH (MIN)	
422D	5	0.220	0.220	4.80+	59798/3/4
426D	5	0.260	0.225	4.80+	59789/1/2

422D DESIGN OPTIONS

[LLL] LENGTH TABLE		
ASSY LENGTH [LLL]	[H] MTG X	[C] OPTON X/2
480-749	.900	.450
750-849	1.900	.950
850 & UP	2.900	1.450

OTHER LENGTHS AVAILABLE UPON REQUEST

[H] MOUNTING TABLE	
DASH NO	DESCRIPTION
A	NO MOUNTING HOLES
R	$\phi 0.068/\phi 0.073$ THRU $\phi .156 \times \nabla .16$ $\phi 0.140 \times 100^\circ$
T	#0-80 UNF-28 THREADS
S	#2-56 UNC-28 THREADS
U	M2 X 0.4 - 6H THREADS
M	M2.5 X 0.45 - 6H THREADS

THREAD DEPTH ~ 0.050 THRU



[F] FINISH TABLE	
DASH NO	DESCRIPTION
A	NO FINISH
G	CHROMATE PER MIL-DTL-5541, CLASS 1A, TYPE I (GOLD)
T	TRIVALENT CHROMATE PER MIL-DTL-5541, CLASS 1A, TYPE II (CLEAR), RoHS COMPLIANT
B	BLACK ANODIZE PER MIL-A-8625, TYPE II, CLASS 2
H	HARD BLACK ANODIZE PER MIL-A-8625, TYPE III, CLASS 2
D	HARD BLACK ANODIZE PER MIL-A-8625, TYPE III, CLASS 2 WITH DRY FILM LUBE PER MIL-L-46010
E	ELECTROLESS NICKEL PER MIL-C-26074, CLASS 4, GRADE B, BRIGHT
*N	NADCAP COMPLIANT (EX: 'BN' - BLACK ANODIZE, NADCAP)

NOTES:
 SHIP AS COMPLETE ASSEMBLY IN RELAXED STATE
 (IF RIVET MOUNTING OPTION IS SELECTED, SHIP UNASSEMBLED)

EXAMPLE
 422D-480UMG-CP
 422D WEDGELOCK ASSEMBLY
 4.80" LENGTH, M2 MTG, M2.5 SOCKET HEAD, GOLD CHROMATE
 CENTER MTG HOLE, LOCK PATCH

PART DEFINITION (REQUIRED) PART NUMBER OPTIONS (NOT REQUIRED)

PART NUMBER CODE
 422D-[LLL][H][D][F]-[C][W][N][P][V]

SERIES PN

ASSY LENGTH (SEE LENGTH TABLE)

MOUNTING HOLE (SEE MOUNTING TABLE)

DRIVE SCREW
 'M' FOR M2.5 HEX
 'S' FOR 3/32 HEX

FINISH (SEE FINISH TABLE)

PART NUMBER OPTIONS (NOT REQUIRED)

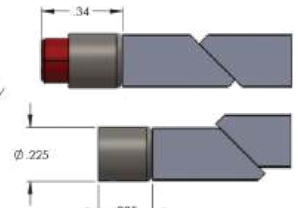
ADD 'V' FOR OPTIONAL VISUAL INDICATOR

ADD 'P' FOR OPTIONAL LOCK PATCH

OPTIONAL LOCK NUT
 ADD 'A' FOR MS21043-04 SILVER PLATED A286 SS
 ADD 'N' FOR MS21042-04 CADMIUM PLATED STEEL

ADD 'W' FOR OPTIONAL LOCK AND FLAT WASHER

ADD 'C' FOR OPTIONAL CENTER MOUNTING HOLE



'V' OPTION
 VISUALLY CONFIRMS LOCKED IN PLACE WHEN RED SCREW HEAD IS CONCEALED

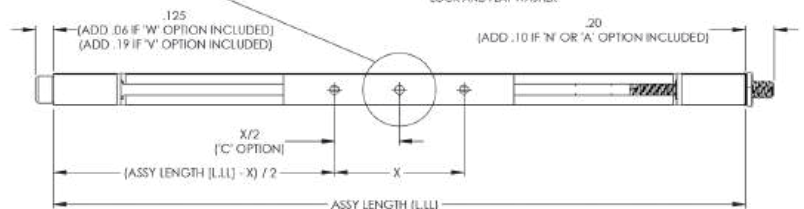


'P' OPTION
 NYLON PATCH PER MIL-F-18240 PROVIDES ADDITIONAL RESISTANCE TO SHOCK AND VIBRATION



'A' OR 'N' OPTION
 PREVENTS DISASSEMBLY OF REAR WEDGE FROM SCREW

'W' OPTION
 LOCK AND FLAT WASHER



BOTTOM VIEW

NEED DESIGN ASSISTANCE?

c-a-design.com

FEATURES

- 5-Wedge Configuration with Long Screw
- Mounting Location: Center Wedge
- Lengths from 4.80" +
- Various finishes available
- Custom configurations available

426D GENERAL DIMENSIONS

'D' STYLE WEDGELOCKS



'D' STYLE

FEATURES

- DESIGNED FOR HEAVY SHOCK AND VIBRATION.
- UNIFORM CLAMPING FORCE AND HIGH THERMAL TRANSFER.
- NARROW WIDTH FOR MAXIMUM PCB COMPONENT AREA.
- LIGHT WEIGHT = ASSEMBLY LENGTH X .104 OZ [2.95 G] OR [1.16 G/CM]
- SPECIAL LENGTHS, FINISH, AND OTHER DESIGN OPTIONS AVAILABLE UPON REQUEST.

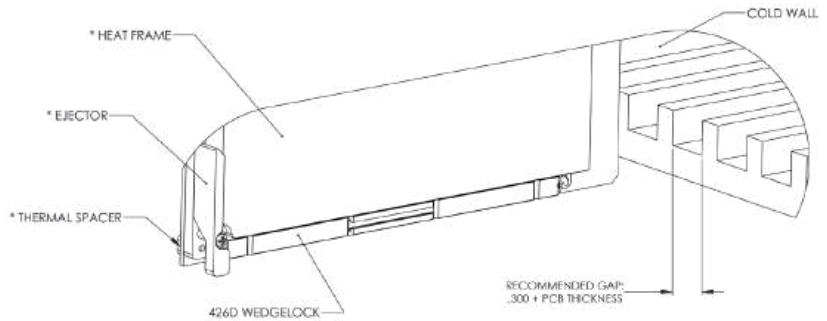
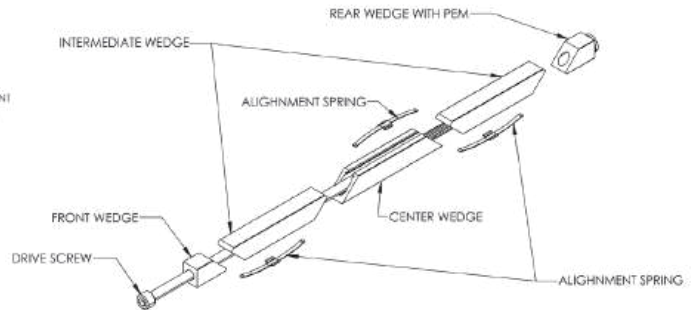
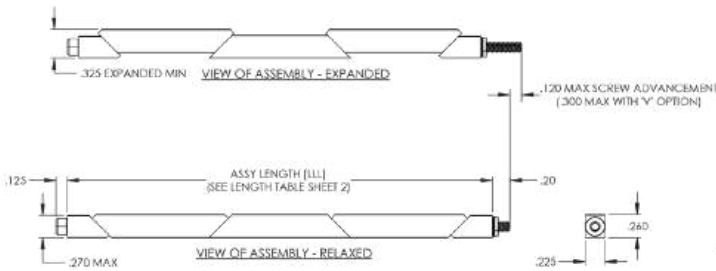
MATERIAL

WEDGES: ALUMINUM 6061-T6.

ALL OTHER HARDWARE: STAINLESS STEEL, PASSIVATED.

PARTS ARE SHIPPED AS COMPLETE ASSEMBLY EXCEPT FOR RIVET MOUNT OPTION

RECOMMENDED DRIVE SCREW TORQUE IS 6 IN-LBS (68 N-CM)



'D' STYLE		ASSEMBLY WITH MOUNTING BAR			DSCC CID
SERIES	WEDGES	HEIGHT	WIDTH	LENGTH (MIN)	
422D	5	0.220	0.220	4.80+	59798/3/4
426D	5	0.260	0.225	4.80+	59789/1/2

426D DESIGN OPTIONS

[LLL] LENGTH TABLE		
ASSY LENGTH [LLL]	[H] MTG X	[C] OPTON X/2
480-749	.900	.450
750-849	1.900	.950
850 & UP	2.900	1.450

OTHER LENGTHS AVAILABLE UPON REQUEST

[H] MOUNTING TABLE	
DASH NO	DESCRIPTION
A	NO MOUNTING HOLES
R	$\phi 0.068/0.073$ THRU $\phi .156 \times \mp .16$ $\checkmark \phi 0.140 \times 100^\circ$
T	#0-80 UNF-28 THREADS
S	#2-56 UNC-28 THREADS
U	M2 X 0.4 - 6H THREADS
M	M2.5 X 0.45 - 6H THREADS

THREAD DEPTH ~ 0.050 " THRU



[F] FINISH TABLE	
DASH NO	DESCRIPTION
A	NO FINISH
G	CHROMATE PER MIL-DTL-5541, CLASS 1A, TYPE I (GOLD)
T	TRIVALENT CHROMATE PER MIL-DTL-5541, CLASS 1A, TYPE II (CLEAR), RoHS COMPLIANT
B	BLACK ANODIZE PER MIL-A-8625, TYPE II, CLASS 2
H	HARD BLACK ANODIZE PER MIL-A-8625, TYPE III, CLASS 2
D	HARD BLACK ANODIZE PER MIL-A-8625, TYPE III, CLASS 2 WITH DRY FILM LUBE PER MIL-L-46010
E	ELECTROLESS NICKEL PER MIL-C-26074, CLASS 4, GRADE B, BRIGHT
*N	NADCAP COMPLIANT (EX: 'BN' - BLACK ANODIZE, NADCAP)

NOTES:
 SHIP AS COMPLETE ASSEMBLY IN RELAXED STATE
 (IF RIVET MOUNTING OPTION IS SELECTED, SHIP UNASSEMBLED)

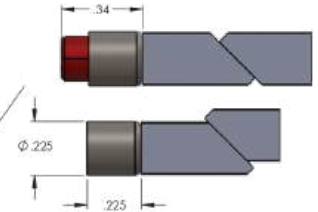
EXAMPLE
 426D-480UMG-CP
 426D WEDGELOCK ASSEMBLY
 4.80" LENGTH, M2 MTG, M2.5 SOCKET HEAD, GOLD CHROMATE
 CENTER MTG HOLE, LOCK PATCH

PART DEFINITION (REQUIRED) PART NUMBER OPTIONS (NOT REQUIRED)

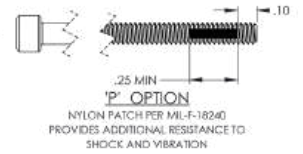
PART NUMBER CODE
 426D-[LLL][H][D][F]-[C][W][N][P][V]

SERIES PN
 ASSY LENGTH (SEE LENGTH TABLE)
 MOUNTING HOLE (SEE MOUNTING TABLE)
 DRIVE SCREW 'M' FOR M2.5 HEX 'S' FOR 3/32 HEX
 FINISH (SEE FINISH TABLE)

PART NUMBER OPTIONS (NOT REQUIRED)
 ADD 'V' FOR OPTIONAL VISUAL INDICATOR
 ADD 'P' FOR OPTIONAL LOCK PATCH
 OPTIONAL LOCK NUT
 ADD 'A' FOR MS21043-04 SILVER PLATED A286 SS
 ADD 'N' FOR MS21042-04 CADMIUM PLATED STEEL
 ADD 'W' FOR OPTIONAL LOCK AND FLAT WASHER
 ADD 'C' FOR OPTIONAL CENTER MOUNTING HOLE



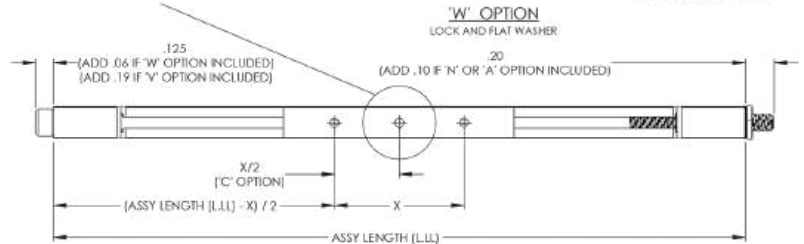
'V' OPTION
 VISUALLY CONFIRMS LOCKED IN PLACE WHEN RED SCREW HEAD IS CONCEALED



'P' OPTION
 NYLON PATCH PER MIL-F-18240 PROVIDES ADDITIONAL RESISTANCE TO SHOCK AND VIBRATION



'A' OR 'N' OPTION
 PREVENTS DISASSEMBLY OF REAR WEDGE FROM SCREW



BOTTOM VIEW

NEED DESIGN ASSISTANCE?

c-a-design.com

FEATURES

- 5-Wedge Configuration with Long Screw
- Mounting Location: Center Wedge
- Lengths from 4.80" +
- Various finishes available
- Custom configurations available

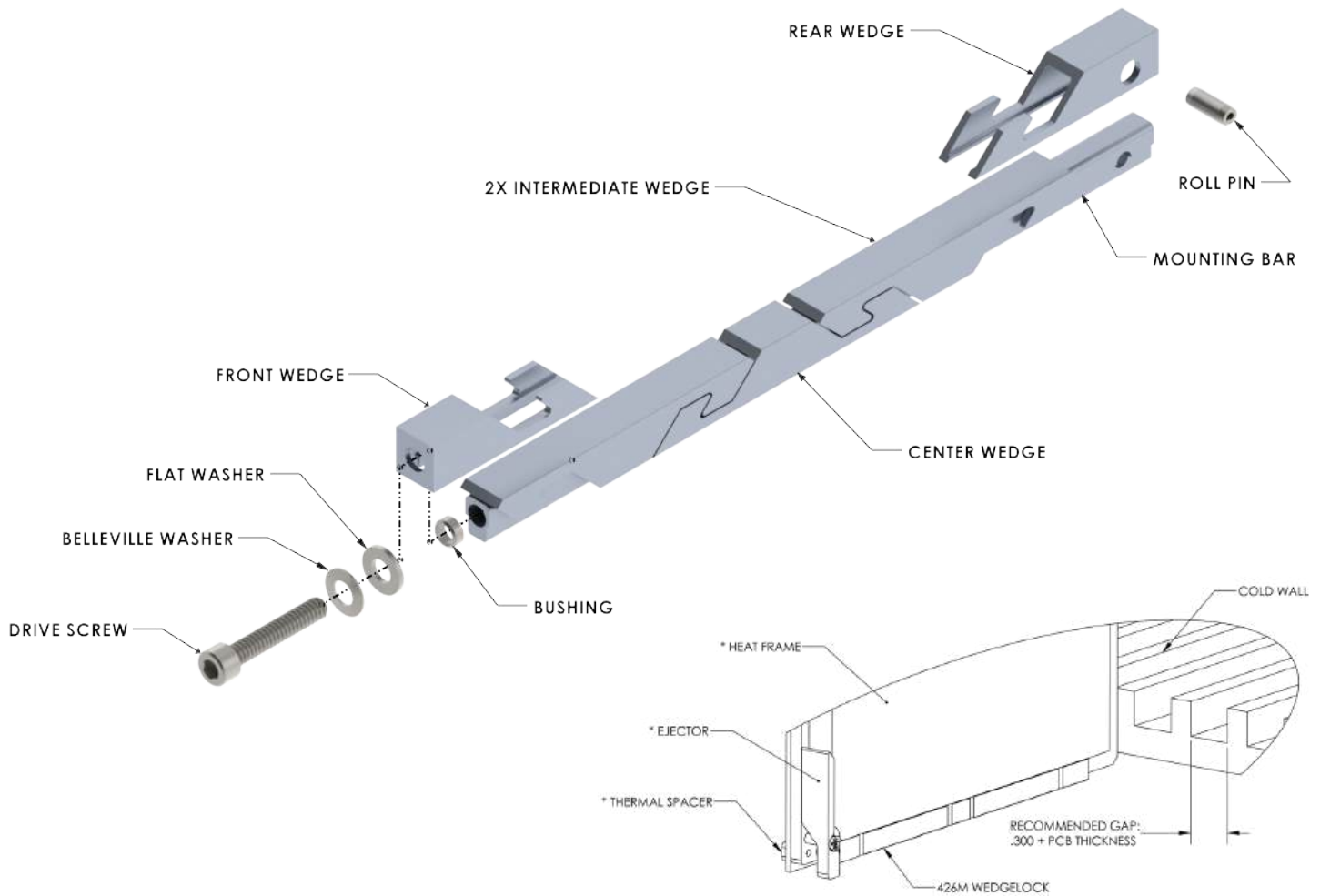
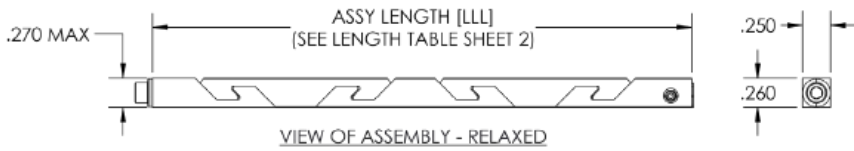
426M GENERAL DIMENSIONS

COMING SOON

'M' STYLE WEDGELOCKS



'M' STYLE
VIEW OF ASSEMBLY - RELAXED



426M DESIGN OPTIONS

COMING SOON

[LLL] LENGTH TABLE		
ASSY LENGTH [LLL]	[H] MTG X	[C] OPTION X/2
480	2,900	1,450
530	3,400	1,700
580	3,900	1,950
630	4,400	2,200
680	4,900	2,450
730	5,400	2,700
780	5,900	2,950
830	6,400	3,200
880	6,900	3,450
930	7,400	3,700
980	7,900	3,950

OTHER LENGTHS AVAILABLE UPON REQUEST

[H] MOUNTING TABLE	
DASH NO	DESCRIPTION
A	NO MOUNTING HOLES
R	$\varnothing 0.068/0.073$ THRU $\varnothing 0.213 \times 100^{\circ}$
T	#0-80 UNF-2B THREADS
S	#2-56 UNC-2B THREADS
U	M2 X 0.4 - 6H THREADS
M	M2.5 X 0.45 - 6H THREADS

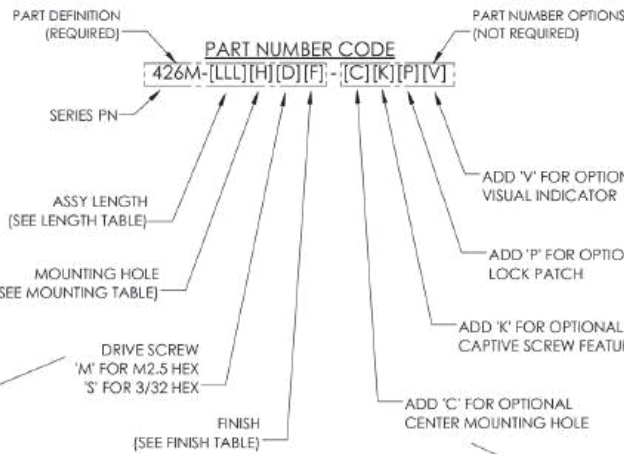
THREAD DEPTH - .215



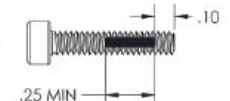
[F] FINISH TABLE	
DASH NO	DESCRIPTION
A	NO FINISH
G	CHROMATE PER MIL-DTL-5541, CLASS 1A, TYPE I (GOLD)
T	TRIVALENT CHROMATE PER MIL-DTL-5541, CLASS 1A, TYPE II (CLEAR), RoHS COMPLIANT
B	BLACK ANODIZE PER MIL-A-8625, TYPE II, CLASS 2
H	HARD BLACK ANODIZE PER MIL-A-8625, TYPE III, CLASS 2
D	HARD BLACK ANODIZE PER MIL-A-8625, TYPE III, CLASS 2 WITH DRY FILM LUBE PER MIL-L-46010
E	ELECTROLESS NICKEL PER MIL-C-26074, CLASS 4, GRADE B, BRIGHT
*N	NADCAP COMPLIANT (EX: 'BN' - BLACK ANODIZE, NADCAP)

NOTES:
 ⚠ SHIP AS COMPLETE ASSEMBLY IN RELAXED STATE
 (IF RIVET MOUNTING OPTION IS SELECTED, SHIP UNASSEMBLED)

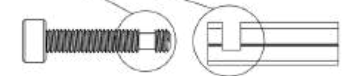
EXAMPLE
 426M-480SSB-CKP
 426M WEDGELOCK ASSEMBLY
 4.80" LENGTH, 2-56 MTG, 3/32 SOCKET HEAD, BLACK ANODIZE
 CENTER MTG HOLE, CAPTIVE SCREW, LOCK PATCH



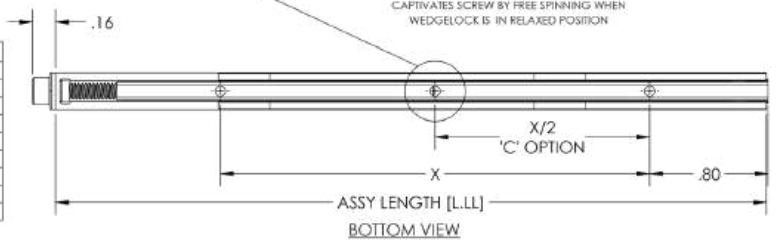
'V' OPTION
 VISUALLY CONFIRMS LOCKED IN PLACE WHEN RED SCREW HEAD IS CONCEALED



'P' OPTION
 NYLON PATCH PER MIL-F-18240 PROVIDES ADDITIONAL RESISTANCE TO SHOCK AND VIBRATION



'K' OPTION
 CAPTIVATES SCREW BY FREE SPINNING WHEN WEDGELOCK IS IN RELAXED POSITION



FEATURES

- Designed for heavy shock and vibration
- Uniform clamping force and high thermal transfer
- Narrow width for maximum pcb component area
- Low profile design allows for decreased slot pitch
- Captivated rear wedge
- Patented wedge design guarantees wedge retraction for consistent card removal
- Light weight = assembly length x .090 Oz [2.56 G] or [1.01 G/cm]
- Special lengths, finish, and other design options available upon request

NEED DESIGN ASSISTANCE?

c-a-design.com



5 STEP THERMAL ENGINEERING GUIDE From Concept To Cooling

COOLVATION provides thermal management engineering services to improve products' thermal performance while applying cost effective solutions to eliminate unnecessary manufacturing costs. COOLVATION is a seamless resource extension for our customers' thermal & mechanical engineering teams from ideation to lab testing.

