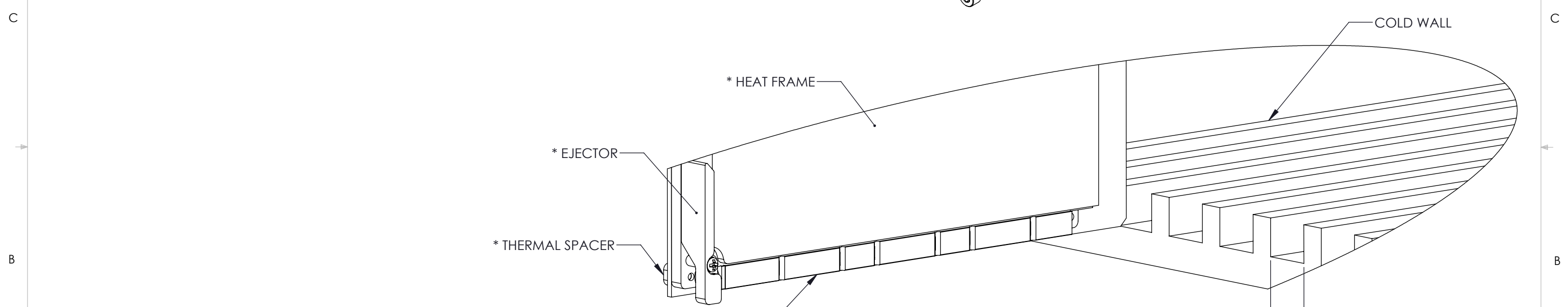
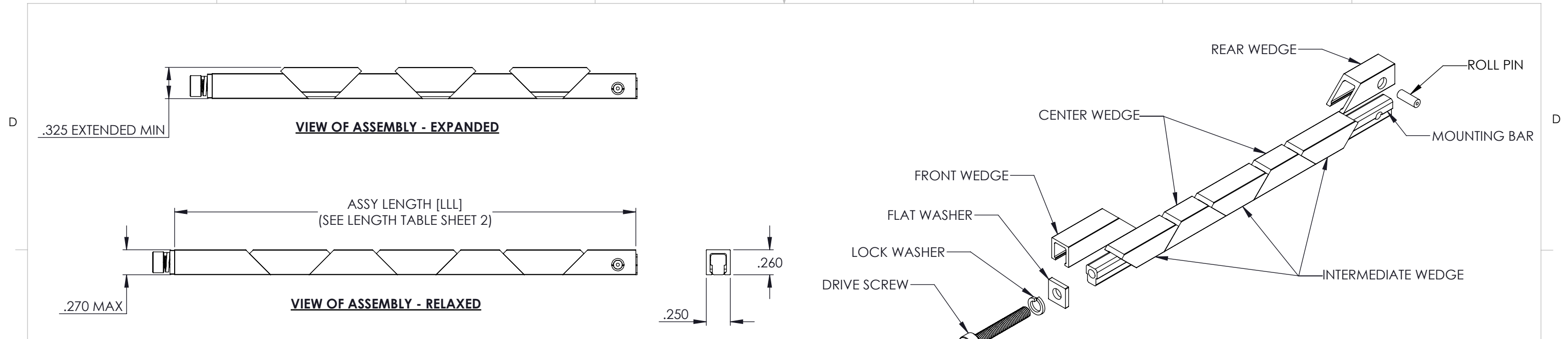


8 7 6 5 4 3 2 1



**FEATURES**

- DESIGNED FOR HEAVY SHOCK AND VIBRATION.
- UNIFORM CLAMPING FORCE AND HIGH THERMAL TRANSFER.
- NARROW WIDTH FOR MAXIMUM PCB COMPONENT AREA.
- LOW PROFILE DESIGN ALLOWS FOR DECREASED SLOT PITCH.
- CAPTIVATED REAR WEDGE.
- LIGHT WEIGHT = ASSEMBLY LENGTH X .085 OZ [2.41 G] OR [.95 G/CM]
- SPECIAL LENGTHS, FINISH, AND OTHER DESIGN OPTIONS AVAILABLE UPON REQUEST.

**MATERIAL**

MOUNTING BAR AND WEDGES: ALUMINUM 6063-T6.  
ALL OTHER HARDWARE: STAINLESS STEEL, PASSIVATED.

PARTS ARE SHIPPED AS COMPLETE ASSEMBLY EXCEPT FOR RIVET MOUNT OPTION (SEE SHEET 2)  
RECOMMENDED DRIVE SCREW TORQUE IS 6 IN-LBS (68 N-CM)  
8IN-LBS (90 N-CM) ALLOWABLE MAX WITH LOCK PATCH

\* CONTACT WAKEFIELD THERMAL FOR COMPLETE HEAT FRAME ASSEMBLY OR OTHER COMPONENT ITEMS

THIS DOCUMENT, IN ITS ENTIRETY, CONTAINS INFORMATION WHICH IS CONFIDENTIAL AND PROPRIETARY TO WAKEFIELD THERMAL. DOCUMENTS MARKED WITH PROPRIETARY ARE NOT TO BE USED, DUPLICATED OR DISCLOSED WITHOUT PRIOR WRITTEN PERMISSION OF AN OFFICER OR DULY AUTHORIZED REPRESENTATIVE OF WAKEFIELD THERMAL OR AS MAY BE PROVIDED IN A WRITTEN NON-DISCLOSURE AGREEMENT BETWEEN THE PARTIES.

CAD GENERATED DRAWING				
TOLERANCES UNLESS OTHERWISE SPECIFIED: X.XX ± 0.010" X.XXX ± 0.005" ANGULAR ± 1°	NAME	DATE	 2910 INDUSTRIAL DRIVE, RALEIGH, NC 27609 TITLE: <b>426C7 WEDGELOCK DATASHEET</b> 0.260 X 0.250	
MACHINED SURFACES <sup>63</sup>	DRAWN	TSF		3/7/2023
INTERPRET GEOMETRIC TOLERANCES PER: ASME Y14.5M-1994	CHECKED	.		.
MATERIAL: SEE PART DETAIL	ENG APPR.	TSF		3/7/2023
FINISH: SEE FINISH TABLE	MFG APPR.	.	.	
DO NOT SCALE DRAWING	Q.A.	.	.	
MODEL_INFO: 426C Series Master	SIZE	DWG NO.	REV	
	B	426C7-DS	23A	
	CAGE CODE:	3E7U8	SCALE 1:1	
			SHEET 1 OF 2	

8 7 6 5 4 3 2 1

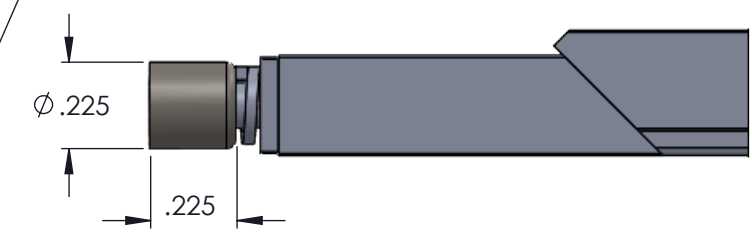
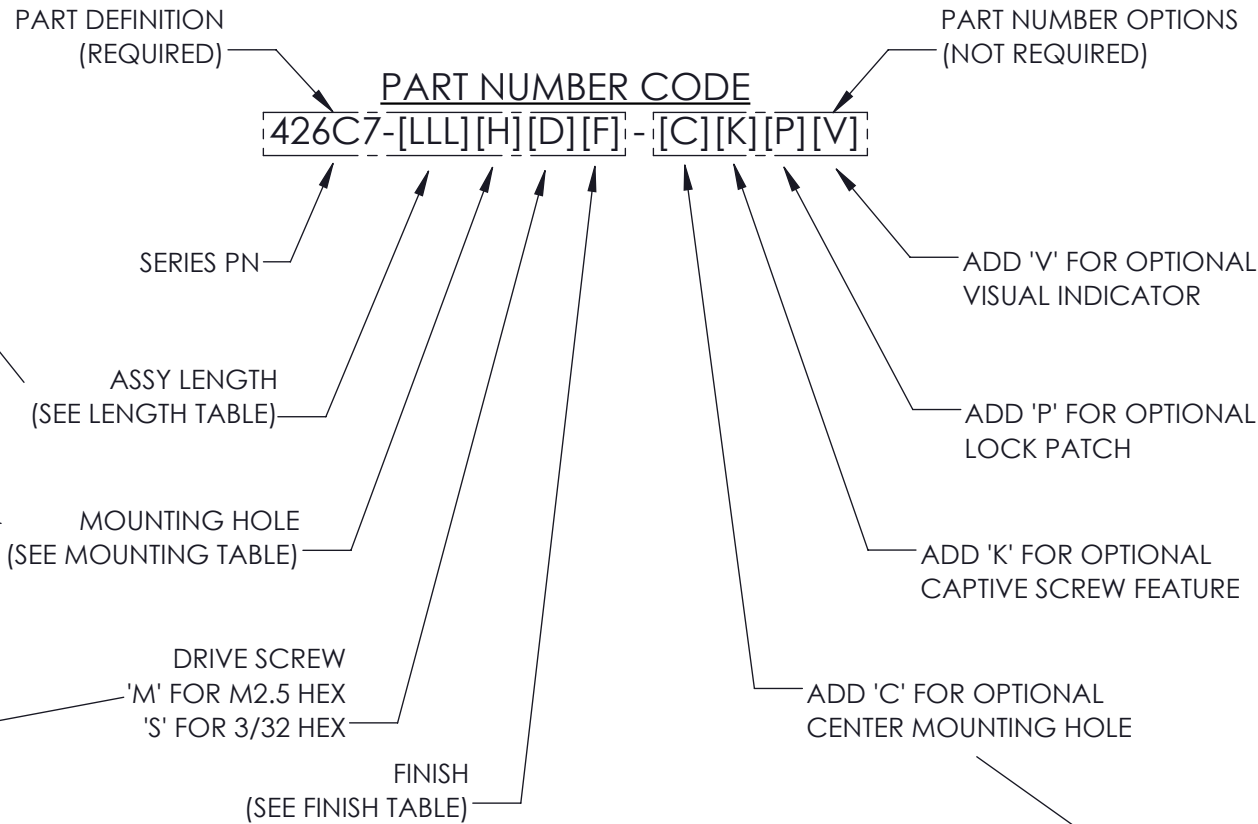
[LLL] LENGTH TABLE		
ASSY LENGTH [LLL]	[H] MTG X	[C] OPITON X/2
480	2.900	1.450
530	3.400	1.700
580	3.900	1.950
630	4.400	2.200
680	4.900	2.450
730	5.400	2.700
780	5.900	2.950
830	6.400	3.200
880	6.900	3.450
930	7.400	3.700
980	7.900	3.950
OTHER LENGTHS AVAILABLE UPON REQUEST		

[H] MOUNTING TABLE	
DASH NO	DESCRIPTION
A	NO MOUNTING HOLES
$\triangle$ R	$\phi$ 0.068/0.073 THRU $\checkmark$ $\phi$ 0.213 X 100°
T	#0-80 UNF-2B THREADS
S	#2-56 UNC-2B THREADS
U	M2 X 0.4 - 6H THREADS
M	M2.5 X 0.45 - 6H THREADS
THREAD DEPTH .215	

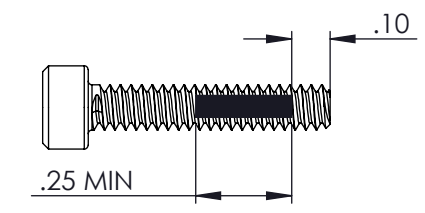
[F] FINISH TABLE	
DASH NO	DESCRIPTION
A	NO FINISH
G	CHROMATE PER MIL-DTL-5541, CLASS 1A, TYPE I (GOLD)
T	TRIVALENT CHROMATE PER MIL-DTL-5541, CLASS 1A, TYPE II (CLEAR), RoHS COMPLIANT
B	BLACK ANODIZE PER MIL-A-8625, TYPE II, CLASS 2
H	HARD BLACK ANODIZE PER MIL-A-8625, TYPE III, CLASS 2
D	HARD BLACK ANODIZE PER MIL-A-8625, TYPE III, CLASS 2 WITH DRY FILM LUBE PER MIL-L-46010
E	ELECTROLESS NICKEL PER MIL-C-26074, CLASS 4, GRADE B, BRIGHT
*N	NADCAP COMPLIANT (EX: 'BN' - BLACK ANODIZE, NADCAP)

**EXAMPLE**  
 426C7-480SSB-CKP  
 426C7 WEDGELOCK ASSEMBLY  
 4.80" LENGTH, 2-56 MTG, 3/32 SOCKET HEAD, BLACK ANODIZE  
 CENTER MTG HOLE, CAPTIVE SCREW, LOCK PATCH

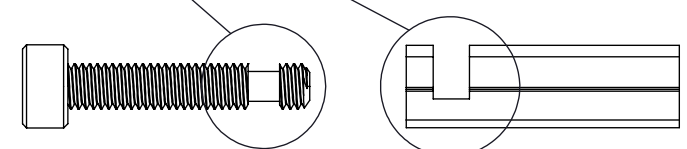
**PART NUMBER CODE**  
 426C7-[LLL][H][D][F]-[C][K][P][V]



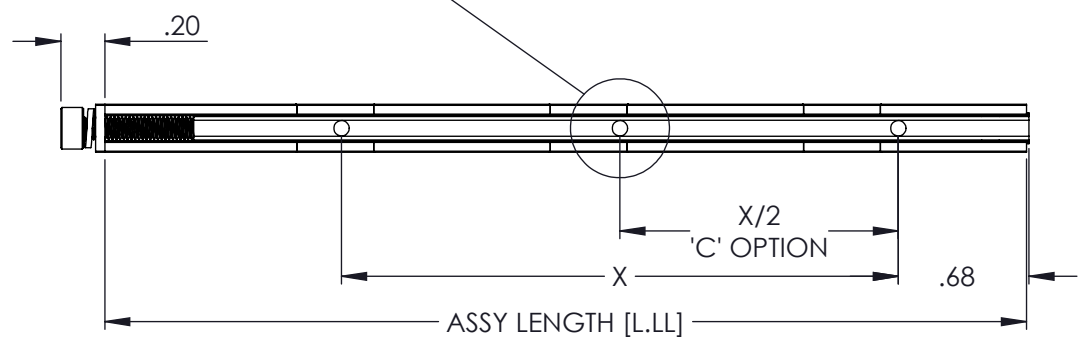
**'V' OPTION**  
 VISUALLY CONFIRMS LOCKED IN PLACE WHEN RED SCREW HEAD IS CONCEALED



**'P' OPTION**  
 NYLON PATCH PER MIL-F-18240 PROVIDES ADDITIONAL RESISTANCE TO SHOCK AND VIBRATION



**'K' OPTION**  
 CAPTIVATES SCREW BY FREE SPINNING WHEN WEDGELOCK IS IN RELAXED POSITION



**BOTTOM VIEW**

NOTES:  
 $\triangle$  SHIP AS COMPLETE ASSEMBLY IN RELAXED STATE (IF RIVET MOUNTING OPTION IS SELECTED, SHIP UNASSEMBLED)

THIS DOCUMENT, IN ITS ENTIRETY, CONTAINS INFORMATION WHICH IS CONFIDENTIAL AND PROPRIETARY TO WAKEFIELD THERMAL. DOCUMENTS MARKED WITH PROPRIETARY ARE NOT TO BE USED, DUPLICATED OR DISCLOSED WITHOUT PRIOR WRITTEN PERMISSION OF AN OFFICER OR DULY AUTHORIZED REPRESENTATIVE OF WAKEFIELD THERMAL OR AS MAY BE PROVIDED IN A WRITTEN NON-DISCLOSURE AGREEMENT BETWEEN THE PARTIES.

SIZE	DWG NO.	REV
B	426C7-DS	23A
CAGE CODE:	SCALE 1:1	SHEET 2 OF 2
3E7U8		

MODEL\_INFO:  
 426MountingBar